

19



Europäisches Patentamt
European Patent Office
Office européen des brevets



11 Publication number: **0 506 111 A2**

12

EUROPEAN PATENT APPLICATION

21 Application number: **92105359.1**

51 Int. Cl.⁵: **G06F 15/332**

22 Date of filing: **27.03.92**

30 Priority: **27.03.91 JP 63259/91**

43 Date of publication of application:
30.09.92 Bulletin 92/40

64 Designated Contracting States:
DE FR NL

71 Applicant: **MITSUBISHI DENKI KABUSHIKI KAISHA**
2-3, Marunouchi 2-chome Chiyoda-ku Tokyo(JP)

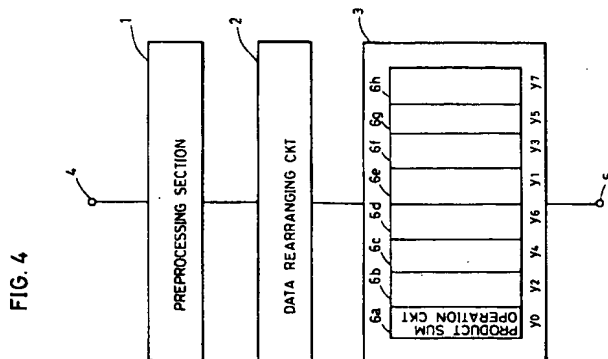
72 Inventor: **Uramoto, Shinichi, c/o Mitsubishi**

Denki K.K. LSI
Kenkyusho, 1 Mizuhara 4-chome
Itami-shi, Hyogo-ken(JP)
Inventor: **Inoue, Yoshitsugu, c/o Mitsubishi**
Denki K.K. LSI
Kenkyusho, 1 Mizuhara 4-chome
Itami-shi, Hyogo-ken(JP)

74 Representative: **Prüfer, Lutz H.**
PRÜFER & PARTNER, Patentanwälte,
Harthäuser Strasse 25d
W-8000 München 90(DE)

54 **DCT/IDCT processor and data processing method.**

57 A one-dimensional discrete cosine transform (DCT) processor of N (N: positive integer)-term input data X includes a preprocessing section (1) for carrying out addition and subtraction of (i)th-term data x (i) and (N - i)th-term data x (N - 1) of input data X, and a unit (2, 3) for performing a product sum operation for sets of intermediate data subjected to preprocessing by addition and sets of intermediate data subjected to preprocessing by subtraction, respectively. The product sum operation unit includes a data rearranging unit (2) for outputting, in parallel and in order, bit data of the same figure of a set of data, a partial sum generator (41) for generating a partial sum by using the parallel bit data as an address, and an accumulator (42) for accumulating outputs of the partial sum generator. A one-dimensional inverse discrete cosine transform (IDCT) processor of N-term input data X includes a unit (2, 3) for performing a product sum operation of input data, and a postprocessing section (7) for carrying out addition and subtraction of 2-term data in a predetermined combination of an output of the product sum operation unit. The number of times of multiplication is reduced by utilizing inherent characteristics of coefficients of DCT/IDCT processing. Since the product sum operation is performed by a ROM table (43) and an adder (44), a faster multiplication is realized.



The present invention relates generally to data processors and data processing methods and, more particularly, to an apparatus and method for carrying out discrete cosine transform or inverse cosine transform of data.

In order to process video data at a high speed, high effective coding is carried out. In high effective coding, a data amount of a digital video signal is compressed with picture quality being maintained as high as possible. In high effective coding, a redundant component of the signal is first removed for efficient coding. For this purpose, orthogonal transform techniques are often employed. As one of the orthogonal transform techniques, discrete cosine transform DCT is provided. The DCT is implemented by a simple product sum operation using a cosine function as a coefficient. The DCT is defined by the following expression (1):

$$Y = AX \quad (1)$$

where X is an N-term column vector indicating input data, Y is an N-term column vector indicating output data, and A is N by N coefficient matrix represented by the following expression.

$$A(i, j) = \sqrt{\frac{2}{N}} \cdot C(i) \cdot \cos \frac{(2i + 1) j}{2N} \pi$$

$$C(i) \begin{cases} = \sqrt{1/2} & (i = 0) \\ = 1 & (i \neq 0) \end{cases}$$

$$i, j = 0, 1, \dots, N - 1$$

The expression (1) represents a case where input data X is of N terms. 2^m points are generally employed, where m is a natural number. A description will now be made on 8 point DCT where $N = 8$ ($m = 3$). As can be seen from the expression (1), DCT is a matrix operation, and in practice, this processing is realized by product sum operation.

Fig. 1 shows configuration of a conventional DCT processor. This DCT processor is described in, for example, IEEE, Proceedings of Custom Integrated Circuits Conference 89, 1989, pp. 24.4.1 to 24.4.4.

Referring to Fig. 1, the conventional DCT processor includes eight sum product operation units 100a to 100h arranged in parallel for calculating respective terms y_0 to y_7 of output data Y.

Each of product sum operation units 100a to 100h is of the same configuration and includes a parallel multiplier 101 for taking a product of input data x_i ($i = 0$ to 7) and a predetermined weighting coefficient, and an accumulator 102 for accumulating an output of parallel multiplier 101 to generate output data y_j ($j = 0$ to 7). Here, reference characters 101 and 102 generically denote respective components 101a to 101h and 102a to 102h. In the following description also, reference numerals having no suffixes generically denote corresponding elements.

Accumulator 102 includes a 2-input adder 103 for receiving an output of parallel multiplier 101 at its one input, and an accumulating register 104 for latching an output of adder 103. An output of register 104 is applied to an output terminal 106 and also to the other input of adder 103. Data y_j of the respective terms of output data Y are sequentially output through a selector not shown from output terminal 106. An operation will now be described.

Identical data are applied through an input terminal 105 to product sum operation units 100a to 100h. The following arithmetic operation is carried in each of product sum operation units 100a - 100h:

$$y_j = \sum_{i=0}^7 A(i, j) x_i$$

$$= \frac{1}{2} \sum_{i=0}^7 C(j) \cdot \left(\cos \frac{(2i+1)j\pi}{16} \right) \cdot x_i \quad \dots (2)$$

$$i, j = 0, 1, \dots, 7$$

For example, data y_0 of a zeroth term in an output data vector Y is calculated as follows in product sum operation unit 100a.

When receiving zeroth-term data x_0 (hereinafter referred to simply as input data) in an input data vector, parallel multiplier 101a outputs a product $A(0, 0) \cdot x_0$ of data x_0 and a coefficient $A(0, 0)$ to adder 103a. Register 104a is being reset, and the content thereof is 0. Accordingly, product $A(0, 0) \cdot x_0$ is output from adder 103a and then stored in register 104a.

When input data x_1 is applied, a product $A(1, 0) \cdot x_1$ is output from multiplier 101a. An output of adder 103a is $A(0, 0) \cdot x_0 + A(1, 0) \cdot x_1$ and stored in register 104a.

By repetition of such an operation, an output of accumulator 102a provided after application of input data x_7 is

$$\sum_i A(i, 0) \cdot x_i,$$

so that output data y_0 is obtained.

Similar calculation (which differs merely in values of a weighting coefficient $A(i, j)$) is carried out also in the remaining product sum operation units 100b - 100h, and output data $y_1 - y_7$ are obtained. These output data $y_0 - y_7$ are sequentially output through output terminal 106.

In contrast to the DCT operation, there is an inverse DCT operation for carrying out the inverse operation of the DCT operation. The inverse DCT (IDCT) is expressed as follows:

$$X = A'Y$$

where an input data vector X is obtained from an output data vector Y . That is, only the difference between the DCT operation and the IDCT operation is a difference between coefficients A and A' . Thus, in the configuration of Fig. 1, the IDCT operation can be carried out by changing the coefficients in parallel multipliers 101a - 101h.

In other words, the DCT and the IDCT can be carried out on the same hardware. An increase in hardware is only concerned with a control circuit (not shown) for making a selection between a coefficient for DCT and that for IDCT.

The above-described one-dimensional DCT operation can be expanded to a two-dimensional DCT operation. The two-dimensional DCT operation is obtained by making both input data vector X and output data vector Y be two-dimensional vectors.

Fig. 2 shows configuration of a conventional two-dimensional DCT (or IDCT) processor. Referring to Fig. 2, the processor includes a first one-dimensional DCT processing section 111a for subjecting input data from input terminal 105 to one-dimensional DCT processing, a transposition circuit 112 for rearranging rows and columns of an output of first one-dimensional DCT processing section 111a, and a second one-dimensional DCT processing section 111b for subjecting an output of transposition circuit 112 to one-dimensional DCT processing. First one-dimensional DCT processing section 111a performs a DCT (or IDCT) operation in a row direction, and second one-dimensional DCT processing section 111b performs a DCT (or IDCT) operation in a column direction.

Fig. 3 is a diagram showing configuration of the transposition circuit of Fig. 2. Referring to Fig. 3, transposition circuit 112 includes a buffer memory 121 and an address generation circuit 122 for generating write/read addresses of buffer memory 121. Buffer memory 121 receives output data of first-one-dimensional DCT processing section 111a through an input terminal 125 and sequentially stores the same therein in accordance with an address signal from address generation circuit 122. Also, buffer memory 121

applies corresponding data from an output terminal 126 to second one-dimensional DCT processing section 111b in accordance with an address signal from address generation circuit 122. An operation will now be described. Input data X and output data Y are two dimensional, the elements of which are each represented by $x(i, j)$ and $y(i, j)$, $i, j = 0, 1 \dots 7$.

5 Input data are applied in the order of rows to first one-dimensional DCT processing section 111a. More specifically, input data are applied to input terminal 105 in the order of 8-term row vectors $x(0, j)$, $x(1, j)$, ... $x(7, j)$.

10 First one-dimensional DCT processing section 111a performs the DCT operation for each row vector to output intermediate data Z. At that time, first DCT processing section 111a outputs intermediate data of row vectors in the order of rows, i.e., $z(0, j)$, $z(1, j)$ Accordingly, a DCT operation in the row direction of input data X is carried out.

As shown in Fig. 3, transposition circuit 112 first stores the intermediate data from first DCT processing section 111a into buffer memory 121 in the order of receiving of the intermediate data (the order of rows).

15 Then, intermediate data Z are read in the order of columns, i.e., the order of column vectors $z(i, 0)$, $z(i, 1)$... from buffer memory 121.

20 Intermediate data Z read in the order of columns are applied to second DCT processing section 111b. Second DCT processing section 111b carries out on the intermediate data one-dimensional DCT processing. Accordingly, data subjected to one-dimensional DCT processing in the column direction are output from second one-dimensional DCT processing section 111b. Output data Y from second one-dimensional DCT processing section 111b are output in the order of columns from output terminal 106. As a result, two-dimensional DCT shown by the following equation (3) is performed.

$$25 \quad Y_{uv} = \frac{1}{4} \sum_{i=0}^7 \sum_{j=0}^7 C(u) \cdot C(v) \cdot \cos \frac{(2i+1)u\pi}{16} \cdot \cos \frac{(2j+1)v\pi}{16} \cdot X_{ij} \quad \dots (3)$$

$$35 \quad C(u), C(v) = \begin{cases} 1 & (u, v = 0) \\ \frac{1}{\sqrt{2}} & \\ 1 & (u, v \neq 0) \end{cases}$$

40 First and second DCT processing sections 111a and 111b carry out the same processing except for coefficients in the parallel multiplying circuits. If multiplication coefficients of first and second DCT processing sections 111a and 111b are changed, two-dimensional IDCT shown by the following equation (4) is carried out.

$$45 \quad X_{ij} = \frac{1}{4} \sum_{u=0}^7 \sum_{v=0}^7 C(u) \cdot C(v) \cdot \cos \frac{(2i+1)u\pi}{16} \cdot \cos \frac{(2j+1)v\pi}{16} \cdot Y_{uv} \quad \dots (4)$$

50 The DCT processing and IDCT processing as shown above include a product sum operation. A product operation of this product sum operation is carried out by the parallel multipliers shown in Fig. 1. A multiplier in general requires a large number of adders and the like and has a large scale. Thus, there is a disadvantage that a conventional DCT processor requiring a plurality of parallel multipliers is not allowed to be sized-down.

In a semiconductor integrated circuit for carrying out a synchronization operation, the upper limit of operation speed is determined by a worst delay path (the path which provides a maximum delay). In the conventional configuration, the worst delay path is established by a parallel multiplier, and the operation speed depends on processing speed of the parallel multiplier. It is thus difficult to implement a fast DCT processing and a fast IDCT processing.

One object of the present invention is to provide a down-sized data processor which operates at a high speed.

Another object of the present invention is to provide a data processor for carrying out at least one of DCT and IDCT at a high speed.

A further object of the present invention is to provide a data processing method for carrying out at least one of DCT and IDCT at a high speed.

A data processor according to the present invention reduces the number of times of multiplication by utilizing characteristics inherent to a DCT operation or IDCT operation. A product sum operation is carried out by a successive operation employing a combination of a memory and an adder.

Since the number of times of multiplication is reduced and no parallel multipliers are employed, the DCT operation and IDCT operation are carried out at a high speed with fewer circuit components.

The foregoing and other objects, features, aspects and advantages of the present invention will become more apparent from the following detailed description of the present invention when taken in conjunction with the accompanying drawings.

Fig. 1 is a diagram showing configuration of a conventional one-dimensional DCT processor.

Fig. 2 is a diagram showing configuration of a conventional two-dimensional DCT processor.

Fig. 3 is a diagram showing configuration of a transposition circuit of Fig. 2.

Fig. 4 is a diagram showing configuration of a one-dimensional DCT processor being one embodiment of the present invention.

Fig. 5 is a diagram showing an example of configuration of a preprocessing section shown in Fig. 4.

Fig. 6 is a diagram showing an example of modification of the preprocessing section of Fig. 5.

Fig. 7A is a diagram showing an example of configuration of a data rearranging circuit of Fig. 4.

Fig. 7B is a diagram showing the contents of a shift register of Fig. 7A.

Fig. 8 is a diagram showing an example of configuration of a product sum operation circuit of Fig. 4.

Fig. 9 is a diagram of an example of modification of the product sum operation circuit of Fig. 8.

Fig. 10 is a diagram showing an example of modification of the one-dimensional DCT processor of Fig. 1.

Fig. 11 is a diagram showing configuration of a one-dimensional IDCT processor being another embodiment of the present invention.

Fig. 12 is a diagram showing configuration of a one-dimensional DCT/IDCT processor being still another embodiment of the present invention.

Fig. 13 is a diagram showing configuration of a two-dimensional DCT processor being still another embodiment of the present invention.

Fig. 14 is a diagram showing configuration of a two-dimensional IDCT processor being still another embodiment of the present invention.

Fig. 15 is a diagram showing configuration of a two-dimensional DCT/IDCT processor being still another embodiment of the present invention.

Fig. 16 is a diagram showing configuration of a semiconductor integrated circuit apparatus including the DCT processor of the present invention.

Fig. 17 is a diagram showing an example of modification of the semiconductor integrated circuit of Fig. 16.

Fig. 4 schematically shows configuration of a one-dimensional DCT processor being one embodiment of the present invention.

Referring to Fig. 4, the processor includes a preprocessing section 1 for receiving input data x_i from an input terminal 4 to preprocess the received input data x_i on the basis of characteristics inherent to DCT operation, a data rearranging circuit 2 for rearranging data output from preprocessing section 1, and a product sum operation section 3 for carrying out a product sum operation on data from data rearranging circuit 2.

This processor carries out an eight-point DCT operation. Thus, product sum operation section 3 includes eight product sum operation circuits 6a - 6h. Respective product sum operation circuits 6a - 6h provide respective output data $y_0, y_2, y_4, y_6, y_1, y_3, y_5$ and y_7 to sequentially apply the output data to an output terminal 5, (the sequential application unit is not shown in the figure).

A description will now be made on the principle of an 8-point one-dimensional DCT processing

operation of the present invention before a detailed description of configuration of each section. If the relationship between input data x_i ($i = 0, 1, \dots, 7$) and output data y_j ($j = 0, 1, \dots, 7$) shown in equations (1) and (2) is expressed in a matrix form, the following representation (5) is obtained:

$$\begin{matrix}
 5 \\
 10 \\
 15 \\
 20
 \end{matrix}
 \begin{matrix}
 \begin{bmatrix} Y_0 \\ Y_2 \\ Y_4 \\ Y_6 \\ Y_1 \\ Y_3 \\ Y_5 \\ Y_7 \end{bmatrix} \\
 \\
 \\
 \\
 \end{matrix}
 =
 \begin{bmatrix}
 A & A & A & A & A & A & A & A \\
 B & C & -C & -B & -B & -C & -C & B \\
 A & -A & -A & A & A & -A & -A & A \\
 C & -B & B & -C & -C & B & -B & C \\
 D & E & F & G & -G & -F & -E & -D \\
 E & -G & -D & -F & F & D & G & -E \\
 F & -D & G & E & E & -G & D & -F \\
 G & -F & E & -D & D & -E & F & -G
 \end{bmatrix}
 \begin{matrix}
 \begin{bmatrix} x_0 \\ x_2 \\ x_4 \\ x_6 \\ x_1 \\ x_3 \\ x_5 \\ x_7 \end{bmatrix} \\
 \\
 \\
 \\
 \end{matrix}
 \dots (5)$$

where

$$\begin{matrix}
 25
 \end{matrix}
 \begin{matrix}
 A = \frac{1}{2} \cos \frac{\pi}{4}, B = \frac{1}{2} \cos \frac{\pi}{8}, C = \frac{1}{2} \sin \frac{\pi}{8}, D = \frac{1}{2} \cos \frac{\pi}{16}, \\
 E = \frac{1}{2} \cos \frac{3\pi}{16}, F = \frac{1}{2} \sin \frac{3\pi}{16}, G = \frac{1}{2} \sin \frac{\pi}{16}
 \end{matrix}$$

In derivation of the above relation (5), the well-known characteristics of trigonometric function such as $\cos \pi/4 = 1/\sqrt{2}$, $\cos (\pi \pm \theta) = -\cos \theta$, $\cos (\pi/2 \pm \theta) = \sin$ and the like are utilized. For example, $\cos (3\pi/8) = \sin (\pi/8)$ and the like are utilized.

In the above relation (5), a coefficient matrix is horizontally symmetrical with respect to columns. By use of this symmetry, relation (5) can be transformed to the following representation (6):

$$\begin{matrix}
 35 \\
 40
 \end{matrix}
 \begin{matrix}
 \begin{bmatrix} Y_0 \\ Y_2 \\ Y_4 \\ Y_6 \end{bmatrix} \\
 \\
 \\
 \end{matrix}
 =
 \begin{bmatrix}
 A & A & A & A \\
 B & C & -C & -B \\
 A & -A & -A & A \\
 C & -B & B & -C
 \end{bmatrix}
 \begin{matrix}
 \begin{bmatrix} x_0 + x_7 \\ x_1 + x_6 \\ x_2 + x_5 \\ x_3 + x_4 \end{bmatrix} \\
 \\
 \\
 \end{matrix}
 \dots (6)$$

$$\begin{matrix}
 45 \\
 50
 \end{matrix}
 \begin{matrix}
 \begin{bmatrix} Y_1 \\ Y_3 \\ Y_5 \\ Y_7 \end{bmatrix} \\
 \\
 \\
 \end{matrix}
 =
 \begin{bmatrix}
 D & E & F & G \\
 E & -G & -D & -F \\
 F & -D & G & E \\
 G & -F & E & -D
 \end{bmatrix}
 \begin{matrix}
 \begin{bmatrix} x_0 - x_7 \\ x_1 - x_6 \\ x_2 - x_5 \\ x_3 - x_4 \end{bmatrix} \\
 \\
 \\
 \end{matrix}$$

If a comparison is made between the above relations (5) and (6), it is apparent that the number of times of multiplication for acquiring output data y_j is reduced to a half in relation (6) as compared to relation (5). DCT processing in accordance with relation (6) is carried out in this embodiment.

With reference to Fig. 4, preprocessing section 1 generates the following eight intermediate data from input data x_i sequentially applied from input terminal 4 by selectively carrying out addition or subtraction.

The intermediate data are:

(x0 + x7), (x1 + x6), (x2 + x5), (x3 + x4),
 (x0 - x7), (x1 - x6), (x2 - x5) and (x3 - x4).

5

The result of preprocessing from preprocessing section 1 is represented in finite word length. In the following description, it is assumed that the preprocessing result is indicated by 8-bit data in two's complement notation.

10 In order to calculate output data yj by using the preprocessed data from preprocessing section 1, the matrix operation of relation (6) is carried out.

With respect to output data y2, for example, the following relation (7) is carried out:

$$\begin{aligned}
 y_2 &= B \cdot (x_0 + x_7) + C \cdot (x_1 + x_6) \\
 &\quad - C \cdot (x_2 + x_5) - B (x_3 + x_4) \\
 &= \sum_{k=1}^4 B_k \cdot z_k \qquad \dots (7)
 \end{aligned}$$

15

20

where

$$\begin{aligned}
 25 \quad B_1 &= B, B_2 = C, B_3 = -C, B_4 = -B \\
 z_1 &= (x_0 + x_7), z_2 = (x_1 + x_6) \\
 z_3 &= (x_2 + x_5), z_4 = (x_3 + x_4)
 \end{aligned}$$

30 Data rearranging circuit 2 of Fig. 4 receives preprocessing results z_k ($k = 1, \dots, 4$) from preprocessing section 1. When receiving four necessary preprocessing results z_k , data rearranging circuit 2 outputs the least significant bits of respective four preprocessing results z_k in parallel to product sum operation section 3. The parallel bit output is carried out sequentially in bit figure until the most significant bit is output.

Product sum operation circuit 6a for output data y2 carries out an operation in accordance with a relation (8) which is a further equivalent transformation of relation (7).

35

$$y_2 = \sum_{n=1}^7 \left[\sum_{k=1}^4 B_k \cdot z_{kn} \right] 2^{-n} + \sum_{k=1}^4 B_k \cdot (-z_{k0}) \qquad \dots (8)$$

40

where z_{kn} is nth-bit data of preprocessing result z_k , and z_{k0} is the most significant bit of z_k . That is, $z_k \langle 0|7 \rangle = (z_{k0}, z_{k1}, \dots, z_{k7})$. Data z_k is obtained in the following relation (9):

45

$$z_k = -z_{k0} + \sum_{n=1}^7 z_{kn} \cdot 2^{-n} \qquad \dots (9)$$

50

It should be noted that data z_k is data of 8 bits represented in two's complement notation. Therefore, equations (7) and (8) are mathematically totally equivalent to each other except for a difference in order of product sum operations.

4-bit data z_{1n} , z_{2n} , z_{3n} and z_{4n} are applied in parallel to product sum operation circuit 6a for data y2. The values of coefficients B1, B2, B3 and B4 can be calculated in advance. Product sum operation circuit 6a stores therein a partial sum (10) shown below in the form of a ROM table and outputs a corresponding partial sum with 4-bit data z_{1n} , z_{2n} , z_{3n} and z_{4n} used as an address.

55

$$\sum_{k=1}^4 B_k \cdot z_{kn} \quad (n = 0, \dots, 7) \quad \dots \quad (10)$$

5 This partial sum is accumulated by an internal accumulator, so that output data y_2 is output from terminal 5. Although the sign of the most significant bit b_{k0} is negative, this sign can be converted to be positive for addition operation in two's complement notation.

10 Referring to Fig. 4, in product sum operation section 3, product sum operation circuits 6a - 6d apply the operation to the same data z_k in parallel to produce output data y_0, y_2, y_4 and y_6 . Product sum operation circuits 6e - 6h apply the operation to the same data w_k in parallel to produce output data y_1, y_3, y_5 and y_7 .

Output data y_0 to y_7 are sequentially output in this order from output terminal 5 by a selector not shown. A description will now be given on a detailed configuration of each section shown in Fig. 1.

15 Fig. 5 shows configuration of preprocessing section 1 shown in Fig. 4. Preprocessing section 1 includes an input circuit 21 for receiving input data x_i sequentially applied from input terminal 4. Input circuit 21 outputs input data x_p and x_q in a predetermined combination under control by a control circuit 25. Here, a relation $p + q = 7$ is satisfied. Input circuit 21 can be formed of a tapped shift register. Data at a desired stage can be read by selecting a tap under control by control circuit 25 by employing, for example, a multiplexer.

Preprocessing section 1 further includes a 2-input adder 22 for adding outputs of input circuit 21, a subtractor 23 for subtracting outputs of input circuit 21, and an output circuit 24 for selecting one of respective outputs of adder 22 and subtractor 23 under control by control circuit 25. Adder 22 and subtractor 23 carry out addition and subtraction for the applied data under control by control circuit 25.

25 Output circuit 24 preferably alternately selects the output of adder 22 and that of subtractor 23. An operation will now be described.

Input circuit 21 receives input data X to sequentially output sets of data $(x_0, x_7), (x_1, x_6), (x_2, x_5),$ and (x_3, x_4) .

30 Adder 22 adds the data of each set. Adder 22 sequentially outputs data z_k , i.e., $(x_0 + x_7), (x_1 + x_6), (x_2 + x_5)$ and $(x_3 + x_4)$.

Subtractor 23 sequentially outputs data w_k , i.e., $(x_0 - x_7), (x_1 - x_6), (x_2 - x_5)$ and $(x_3 - x_4)$.

Output circuit 24 alternately outputs data z_k and data w_k .

Parallel multiplication circuits 6a to 6d of Fig. 1 carry out an operation in accordance with data z_k , while parallel multiplication circuits 6e to 6h carry out an operation in accordance with data w_k .

35 Output circuit 24 alternately outputs addition data z_k and subtraction data w_k . This makes it possible to produce output data y_0 to y_7 in this order from product sum operation section 3 and implement a pipelined architecture for processing data in synchronization with a clock signal.

In that case, it is unnecessary that adder 22 and subtractor 23 carry out an arithmetic operation simultaneously. Accordingly, as shown in Fig. 6, an arithmetic unit 26 for alternately performing the adding processing and the subtracting processing under control by control circuit 25 may be employed. Output circuit 24 does not have to have a selecting function in the configuration of Fig. 6. Output circuit 24 is required to have a function of buffering and latching (in the case of a clock synchronizing operation) an output of arithmetic unit 26. In the configuration of Fig. 6, since the addition and subtraction are carried out in a single arithmetic unit 26, the circuit scale is reduced.

45 Such configuration may be employed that intermediate data w_k is output after all intermediate data z_k are output from preprocessing section 1.

Fig. 7A shows configuration of data rearranging circuit 2 of Fig. 1. Data rearranging circuit 2 includes an input circuit 31 for receiving intermediate data from a terminal 500, a shift register 32 for sequentially storing therein data from input circuit 31, and a selector 33 for sequentially reading four intermediate data stored in shift register 32 from the least significant bit.

After alternately receiving intermediate data z_k and intermediate data w_k and outputting all of intermediate data z_k in advance, input circuit 31 sequentially outputs intermediate data w_k . This configuration can easily be implemented by using a register for storing intermediate data w_k therein.

55 When intermediate data w_k are applied after all of intermediate data z_k are applied, input circuit 31 sequentially outputs intermediate data from terminal 500. Input circuit 31, however, has a function of latching intermediate data w_k until the reading of intermediate data z_k by the selector is completed. A data acceptance, latching and output operation of input circuit 31 is controlled by a control circuit 34.

Shift register 32 stores therein four intermediate data from input circuit 31. Shift register 32 includes

four 8-bit registers 32a-32d in a row direction as shown in Fig. 7B. Fig. 7B shows a state where four intermediate data z_1 to z_4 are stored in shift register 32.

Intermediate data z_k from input circuit 31 are sequentially stored in registers 32a - 32d. After all intermediate data z_1 to z_4 are stored in register 32, data of registers 32a - 32d are read in parallel sequentially from the respective least significant bits. Such configuration can be implemented by shift registers capable of shifting in both row and column directions. Even by use of a shift register capable of shifting only in the row direction, if a register stage is selected by selector 33, the data rearranging operation can be realized.

A data bit shifting operation of shift register 32 is controlled by control circuit 34. Selector 33 reads data of 4 bits in parallel from shift register 32 under control by control circuit 34.

Four-bit data z_{kn} are output from a terminal 501 in the configuration of Fig. 7A.

Fig. 8 shows configuration of product sum operation circuit 6. Referring to Fig. 8, product sum operation circuit 6 includes a partial sum generating circuit 41 for generating a partial sum in accordance with data from terminal 501, and an accumulator 42 for accumulating an output of partial sum generating circuit 41.

Partial sum generating circuit 41 includes an ROM (Read Only Memory) 43 for receiving 4-bit data z_{kn} and as an address signal. ROM 43 stores the partial sum shown in, for example, equation (10) in the form of table and, when supplied with 4-bit data z_{kn} , ROM 43 outputs a corresponding value. By constructing this partial sum generating circuit 41 in the form of the ROM table, a partial sum can be generated at a high speed without any multiplication.

Accumulator 42 includes an adder 44 for receiving a partial sum from partial sum generating circuit 41 at its one input, an accumulating register 45 for storing an output of adder 44, and a shifter 46 for shifting an output of register 45 by predetermined bits to apply the shifted output to the other input of adder 44. Output data y_j is applied from shifter 46 to terminal 5. A description will now be made on an operation thereof, taking output data y_2 as an example.

Four-bit data z_{kn} are applied in turn from the least significant bit to product sum generating circuit 41. Product sum generating circuit 41 sequentially outputs a partial sum

$$\sum_{k=1}^4 B_k \cdot z_{kn}$$

from ROM 43.

First, a partial sum

$$\sum_{k=1}^4 B_k \cdot z_{k1}$$

is stored in register 45.

Then, a partial sum

$$\sum_{k=1}^4 B_k \cdot z_{k1}$$

is output from partial sum generating circuit 41.

Shifter 46 shifts the contents of register 45 by one bit. Accordingly, an output of shifter 46 is shown as below:

$$[\sum_{k=1}^4 B_k \cdot z_{k7}] 2^{-1}$$

The output of adder 44 is shown as below:

$$\sum_{k=1}^4 B_k \cdot z_{k6} + \left(\sum_{k=1}^4 B_k \cdot z_{k7} \right) \cdot 2^{-1}$$

5 By sequentially repeating this operation, the following output (11) is stored in register 45.

$$10 \quad \sum_{n=1}^7 \left[\sum_{k=1}^4 B_k \cdot z_{kn} \right] \cdot 2^{-n+1} \quad \dots \quad (11)$$

15 If data Z_{k0} is applied, the contents of register 45 is the value shown in relation (8) since the data represented by the above relation (11) is shifted by one bit and then added by adder 44. After that, the shifting operation by shifter 46 is stopped and the contents of register 45 is read, whereby output data y_2 is obtained.

The operation of partial sum generating circuit 41 and accumulator 42 is carried out by control circuit 47.

20 Fig. 9 shows another configuration of a product sum operation circuit. The product sum operation circuit shown in Fig. 9 is different from the configuration shown in Fig. 8 in that a partial sum generating circuit 41 includes two ROMs 43a and 43b and an adder 48 for adding outputs of ROMs 43a and 43b.

ROM 43a receives higher order bits; while ROM 43b receives lower order bits. In this configuration, partial sums P and Q shown in the following equations are made by ROMs 43a and 43b.

$$25 \quad P = \sum_{k=1}^2 B_k \cdot z_{kn}$$

$$30 \quad Q = \sum_{k=3}^4 B_k \cdot z_{kn}$$

35 In the configuration of Fig. 9, the number of words to be stored into the ROMs is drastically reduced. This is because the number of words to be stored is determined by the number of bits of an address signal and increased in proportion to two's power of the bit number.

40 In the above configuration, product sum operation section 3 includes eight product sum operation circuits 6a - 6h. Intermediate data z_k and w_k are not calculated simultaneously. When intermediate data w_k are calculated after all intermediate data z_k are calculated and then output data y_0, y_2, y_4 and y_6 are calculated, product sum operation section 3 can be formed of four product sum operation circuits 6a - 6d as shown in Fig. 10.

45 Product sum operation circuits 6a - 6d calculate y_0 and y_1, y_2 and y_3, y_4 and y_5, y_6 and 7, respectively. The contents of an ROM for partial sum generation is changed in accordance with intermediate data z_k and w_k . If the ROM is structured in bank architecture, the change of the coefficient table can easily be realized.

50 A description will now be made on a structure for an IDCT operation with reference to Fig. 11. Referring to Fig. 11, an 8-point one-dimensional IDCT processor includes a data rearranging circuit 2 for rearranging data from an input terminal 4, a product sum operation section 3 for performing a product sum operation in accordance with an output of data rearranging circuit 2, and a postprocessing section 7 for carrying out addition and subtraction of a predetermined combination of outputs of product sum operation section 3.

Data rearranging circuit 2 and postprocessing section 7 are of the same configurations as those of rearranging circuit 2 and preprocessing section 1 of Fig. 4, respectively. An operation will now be described.

55 Input data y_j ($j = 0, 1, \dots, 7$) applied to terminal 4 undergoes an IDCT processing, so that output data x_i ($i = 0, 1, \dots, 7$) is transmitted to terminal 5. The relationship between data y_j and x_i is represented in the following matrix form (12).

$$\begin{matrix} 5 \\ 10 \\ 15 \end{matrix} \begin{bmatrix} x_0 \\ x_1 \\ x_2 \\ x_3 \\ x_4 \\ x_5 \\ x_6 \\ x_7 \end{bmatrix} = \begin{bmatrix} A & B & A & C & D & E & F & G \\ A & C & -A & -B & E & -G & -D & -F \\ A & -C & -A & B & F & -D & G & E \\ A & -B & A & -C & G & -F & E & -D \\ A & -B & A & -C & -G & F & -E & D \\ A & -C & -A & B & -F & D & -G & -E \\ A & C & -A & -B & -E & G & D & F \\ A & B & A & C & -D & -E & -F & -G \end{bmatrix} \begin{bmatrix} y_0 \\ y_2 \\ y_4 \\ y_6 \\ y_1 \\ y_3 \\ y_5 \\ y_7 \end{bmatrix} \dots (12)$$

where

$$\begin{matrix} 20 \end{matrix} \begin{matrix} A = \frac{1}{2} \cos \frac{\pi}{4}, B = \frac{1}{2} \cos \frac{\pi}{8}, C = \frac{1}{2} \sin \frac{\pi}{8}, D = \frac{1}{2} \cos \frac{\pi}{16}, \\ E = \frac{1}{2} \cos \frac{3\pi}{16}, F = \frac{1}{2} \sin \frac{3\pi}{16}, G = \frac{1}{2} \sin \frac{7\pi}{16} \end{matrix}$$

This coefficient matrix is a transposed matrix of the coefficient matrix of equation (5). If the symmetry with respect to rows of the coefficient matrix of expression (12) is utilized, expression (12) is changed to the following equivalent expression (13).

$$\begin{matrix} 30 \\ 35 \end{matrix} \begin{bmatrix} x_0 \\ x_1 \\ x_2 \\ x_3 \end{bmatrix} = \begin{bmatrix} A & B & A & C \\ A & C & -A & -B \\ A & -C & -A & B \\ A & -B & A & -C \end{bmatrix} \begin{bmatrix} y_0 \\ y_2 \\ y_4 \\ y_6 \end{bmatrix} + \begin{bmatrix} D & E & F & G \\ E & -G & -D & -F \\ F & -D & G & E \\ G & -F & E & -D \end{bmatrix} \begin{bmatrix} y_1 \\ y_3 \\ y_5 \\ y_7 \end{bmatrix} \dots (13)$$

$$\begin{matrix} 40 \\ 45 \end{matrix} \begin{bmatrix} x_7 \\ x_6 \\ x_5 \\ x_4 \end{bmatrix} = \begin{bmatrix} A & B & A & C \\ A & C & -A & -B \\ A & -C & -A & B \\ A & -B & A & -C \end{bmatrix} \begin{bmatrix} y_0 \\ y_2 \\ y_4 \\ y_6 \end{bmatrix} - \begin{bmatrix} D & E & F & G \\ E & -G & -D & -F \\ F & -D & G & E \\ G & -F & E & -D \end{bmatrix} \begin{bmatrix} y_1 \\ y_3 \\ y_5 \\ y_7 \end{bmatrix}$$

It should be noted that there are only two types of the coefficient matrix of expression (13). Assume that these two types are M and N. The processor shown in Fig. 11 carries out an IDCT operation in accordance with expression (13).

Data rearranging circuit 2 receives data y_j ($j = 0, 1, \dots, 7$) from terminal 4 to rearrange data y_0, y_2, y_4 and y_6 and sequentially output the rearranged data from the least significant bit. That is, 4-bit data y_{0n}, y_{2n}, y_{4n} and y_{6n} ($n = 0, 1, \dots, 7$) of input data y_j are output from data rearranging circuit 2, so that generation and accumulation of partial sums are carried out. As intermediate data, the following data is output:

55

$$\sum_{n=1}^7 \left[\sum_{k=1}^4 B_k' \cdot Y_{k'n} \right] \cdot 2^{-n} + \sum_{k'=1}^4 B_{k'}' \cdot (-Y_{k'o})$$

5

This result corresponds to, for example, an intermediate term $M2 = (A \cdot y0 - C \cdot y2 - A \cdot y4 + B \cdot y6)$ for $x2$. Then, data y_{1n} , y_{3n} , y_{5n} and y_{7n} ($n = 0, 1, \dots, 7$) are output from data rearranging circuit 2. The bit data is subjected to a product sum operation in product sum operation section 3. Accordingly, the remaining terms are obtained. For example, an intermediate term $N2 = (F \cdot y1 - D \cdot y3 + G \cdot y6 + E \cdot y7)$ for $x2$ is obtained. Intermediate terms M_i ($i = 0, 1, \dots, 7$) and N_i ($i = 0, 1, \dots, 7$) are output in turn from product sum operation section 3. From expression (13), the following relations are satisfied: $M_i = M_{7-i}$, and $N_i = N_{7-i}$.

Data rearranging circuit 2 may alternately output data bits ($y0, y2, y4, y6$) and data bits ($y1, y3, y5, y7$). Each of product sum operation circuits 6a - 6d calculates $M_i (= M_{7-i})$, and each of product sum operation circuits 6e-6h calculates $N_i (= N_{7-i})$.

Postprocessing section 7 obtains a sum of and a difference between intermediate data M_i and N_i to generate output data x_i and output the same to terminal 5. Accordingly, the following relation is obtained:

$$x_i = M_i + N_i \quad (i = 0, 1, 2, 3)$$

$$x_i = M_i - N_i \quad (i = 4, 5, 6, 7)$$

Postprocessing section 7 has the same configuration as that of Fig. 5 or 6. In that case, input circuit 21 sequentially or alternately receives intermediate terms M_i ($i = 0$ to 3), N_i ($i = 0$ to 3) to apply a desired combination of the terms to adder/subtractors 22, 23 (or 26). The order in which data are selected in the input circuit is made by control circuit 25. In this case, data may be applied in the order of $x0, x7, x1, x6, x2, x5, x3, x4$ to output circuit 24, and output circuit 24 may output the data in the order of $x0, x1, \dots, x7$.

This one-dimensional IDCT processor can also be structured such that a single product sum operation circuit 6 calculates both intermediate terms M_i and N_i ($i = 0$ to 3).

The product sum operation in DCT processing and that in IDCT processing are identical to each other except for their coefficient matrixes. Accordingly, as shown in Fig. 12, a processor capable of selectively performing the DCT processing and the IDCT processing is obtained.

Referring to Fig. 12, the processor includes a preprocessing section 1, a data rearranging circuit 2, a product sum operation section 3, a postprocessing section 7 and a control circuit 8.

Preprocessing section 1 has its input connected to an input terminal 4 and its output connected to data rearranging circuit 2. Data rearranging circuit 2 has its output connected to product sum operation section 3. Product sum operation section 3 has its output connected to an input of postprocessing section 7. The output of postprocessing section 7 is supplied through an output terminal 5. Product sum operation section 3 includes first to eighth product sum operation circuits 6a - 6h.

Control circuit 8 switches DCT operation and IDCT operation and also controls the operation of the respective circuits.

A description will now be made on an operation of the processor shown in Fig. 12. In the case of DCT processing, data is allowed to go intactly through postprocessing section 7. This causes the processor of Fig. 12 to function equally to the DCT processor shown in Fig. 4. That is, data input from input terminal 4 undergoes addition/subtraction in preprocessing section 1 and then rearranged in data rearranging circuit 2. The rearranged data is then transmitted in turn from lower order bits to the product sum operation section. The data subjected to a product sum operation shown in, for example, expression (5) in the product sum operation section passes through postprocessing section 7 and is then directly output from output terminal 5.

In the case of inverse DCT processing, data passes intactly through preprocessing section 1, whereby the processor functions equally to the inverse DCT processor shown in Fig. 11 as follows. That is, the data input from input terminal 4 passes intactly through preprocessing section 1 and then rearranged in data rearranging circuit 2. The rearranged data is transmitted in turn from lower order bits to the product sum operation section. The data subjected to the product sum operation in the product sum operation section is transmitted to postprocessing section 7 and then subjected to addition/subtraction for calculating output data. The added/subtracted data is output from output terminal 5.

Changes in coefficients in product sum operation section 3 are made by control circuit 1. This is easily

realized by switching of banks of ROM or the like.

The above-described processor performs a one-dimensional DCT or IDCT operation. This processor can be developed to be able to perform a two-dimensional DCT or IDCT operation.

Fig. 13 shows configuration of a two-dimensional DCT processor according to the present invention. Referring to Fig. 13, the two-dimensional DCT processor includes a first one-dimensional DCT processing section 11a, a second one-dimensional DCT processing section 11b and a transposition circuit 12.

First, one-dimensional DCT processing section 11a carries out DCT processing with respect to rows, while second one-dimensional DCT processing section 11b carries out DCT processing with respect to columns. Transposition circuit 12 outputs in the order of columns the data applied in the order of rows. First and second processing sections 11a and 11b have the same configuration as that of the one-dimensional DCT processor shown in Fig. 1 and include a preprocessing section 1 (1a, 1b), a data rearranging circuit 2 (2a, 2b) and a product sum operation section 3 (3a, 3b). A description will now be made on a two-dimensional DCT processing of 8 x 8 points taken as an example.

If expression (3) is rewritten, the following expression (14) is obtained:

$$Y_{uv} = \sum_{j=0}^7 A(j, v) \cdot \left(\sum_{i=0}^7 A(i, u) \cdot x_{ij} \right) \dots (14)$$

Input terminal 4 is supplied with input data in the order of rows. That is, 8-term row vector data $x(0, j)$, $x(1, j) \dots x(7, j)$ ($j = 0, 1, \dots, 7$) are applied in turn.

Preprocessing section 1a carries out preprocessing for the respective row vector data. For a zeroth row, for example, data $(x00 \pm x07)$, $(x01 \pm x06)$, $(x02 \pm x05)$ and $(x03 \pm x04)$ are output from preprocessing section 1a. Data rearranging circuit 2a rearranges four words (four addition data or four subtraction data) to output the rearranged data to product sum operation section 3a. Product sum operation section 3a applies a product sum operation to the applied data. The processing operation of data rearranging circuit 2a and product sum operation section 3a is the same as those of the processor shown in Fig. 4.

Accordingly, first one-dimensional DCT processing section 11a outputs in the order of rows 8-term row vector data R_k subjected to one-dimensional DCT processing with respect to a row direction. R_k is an 8-term row vector of $R_k = (R_{k0}, R_{k1}, \dots, R_{k7})$, where $k = 0, 1, \dots, 7$.

This intermediate data R_k is applied to transposition circuit 12 and stored therein in the order of rows. When 8-row intermediate data $R_0 - R_7$ are stored in transposition circuit 12, transposition circuit 12 outputs intermediate data in the order of columns to second one-dimensional DCT processing circuit 11b. The intermediate data stored in transposition circuit 12 is data which is subjected to an operation processing with respect to "i" in expression (14). Transposition circuit 12 outputs intermediate data in the order of columns. In the zeroth column, for example, data $R_{00}, R_{10}, R_{20}, \dots, R_{70}$ are read in turn.

Second one-dimensional DCT processing section 11b carries out the same preprocessing, the same data rearranging processing and the same product sum operation processing for each column as those of first one-dimensional DCT processing section 11a. Accordingly, second one-dimensional DCT processing section 11b outputs data subjected to addition with respect to "j" in expression (14). That is, 8-term column vector data are output in the order of columns from output terminal 5. The data appearing on output terminal 5 are data subjected to one-dimensional DCT processing in both row and column directions, i.e., two-dimensional DCT processing.

Like the transposition in the circuit shown in Fig. 2, transformation from rows to columns in transposition circuit 12 is realized by changing an address of a buffer memory in the row direction in data writing and in the column direction in data reading.

Also, the two-dimensional IDCT processing can be realized by expanding the one-dimensional IDCT processor shown in Fig. 11. Fig. 14 shows configuration of a two-dimensional IDCT processor.

Referring to Fig. 14, the two-dimensional IDCT processor includes a first one-dimensional IDCT processor 13a and a second one-dimensional IDCT processor 13b.

First, one-dimensional IDCT processor 13a includes a data rearranging circuit 2a, a product sum operation section 3a and a postprocessing section 7a. Second one-dimensional IDCT processor 13b includes a data rearranging circuit 2b, a product sum operation section 3b and a postprocessing section 7b. Both first and second one-dimensional IDCT processors 13a and 13b carry out the same processing as that of the one-dimensional IDCT processor shown in Fig. 11.

Input terminal 4 is supplied with input data in the order of rows. First IDCT processor 13a carries out an

IDCT processing with respect to rows.

Transposition circuit 12 sequentially stores therein intermediate data applied in the order of rows from first IDCT processor 13a and outputs the stored intermediate data in the order of columns.

Second IDCT processor 13b carries out an IDCT processing for the respective columns. Accordingly, output terminal 5 is supplied with the data subjected to the IDCT processing in both row and column directions, i.e., two-dimensional IDCT processing, in the order of columns.

Fig. 15 shows configuration of a two-dimensional DCT/IDCT processor being still another embodiment of the present invention. The processor of Fig. 15 includes a first one-dimensional DCT/IDCT processor 14a, a second one-dimensional DCT/IDCT processor 14b, and a transposition circuit 12 provided between processors 14a and 14b.

First and second processors 14a and 14b are of the same configuration as that of the processor shown in Fig. 12 and include a preprocessing section 1 (1a, 1b), a data rearranging circuit 2 (2a, 2b), a product sum operation section 3 (3a, 3b) and a postprocessing section 7 (7a, 7b).

In the configuration of Fig. 15, like the configuration shown in Fig. 12, if preprocessing sections 1a and 1b and postprocessing sections 7a and 7b are selectively set in a through state and coefficients (used in the partial sum generation circuit) of product sum operation sections 3a and 3b are selected, then two-dimensional DCT and IDCT processings can selectively be carried out.

An operation of the processor of Fig. 15 is identical to those of the processors of Figs. 13 and 14. One processing mode of the DCT processing and the IDCT processing is set by a control circuit not shown (corresponding to control circuit 8 of Fig. 12).

Although the foregoing description has not been concerned with implementation forms of the DCT processors, the use of the above-described configuration makes it possible to easily incorporate all of DCT (inverse DCT) functions integrally on a semiconductor integrated circuit.

It is also possible to incorporate all of the above-described DCT/inverse DCT functions integrally on a semiconductor integrated circuit and simultaneously incorporate functional circuitry having functions other than the DCT/inverse DCT functions integrally on one semiconductor substrate. Fig. 16 shows an example of use of a DCT processor which is incorporated integrally on one semiconductor substrate simultaneously with other functional circuitry.

Referring to Fig. 16, a semiconductor integrated circuit (semiconductor chip) 50 includes a DCT processor 51 and functional circuits 52, 53 and 54.

DCT processor 51 has such configuration as shown in Fig. 13 or 17. Functional circuits 52, 53 and 54 have different functions A, B and C, respectively. In application to video data processing, functions A, B and C include such functions necessary for image compression as quantization, variable length coding (entropy coding) and the like. The functions necessary for image compression are standardized by, for example, JPEG (Joint of Photographic Expert Group).

In the configuration shown in Fig. 16, DCT processor 51 is used in cooperation with (or in clock synchronization with) functional circuits 52, 53 and 54.

In the embodiment shown in Fig. 16, the functional circuits integrated together with the DCT processor are dedicated circuits having specific functions. The functional circuits are not limited to such dedicated circuits and may be integrated together with a microprocessor or a programmable functional block 56 such as a DSP (Digital Signal Processor) as shown in, for example, Fig. 17. Further, the DCT processor may be integrated together with a dedicated functional circuit 55 and programmable functional block 56 in combination as shown in Fig. 17.

The summary of principal technical effects of the present invention is as follows:

- (i) Since the required number of times of multiplication is reduced by preprocessing in DCT processing or by postprocessing in IDCT processing, load on a product sum operation circuit is reduced.
- (ii) Since a product sum operation is carried out by a memory and an adder, the scale of circuitry is substantively reduced.
- (iii) Because of the above item (ii), a parallel multiplication circuit is unnecessary. Accordingly, when the entire processor performs a synchronizing operation, a higher operation speed on a worst delay path is easily achieved, facilitating a faster processing.
- (iv) Since the effect of the above item (iii) facilitates an upgrading of a DCT (or IDCT) processor, this effect is greatly advantageous particularly in implementation of the present DCT (or IDCT) processor on a semiconductor integrated circuit, together with the effect of reducing the circuit scale.

Although the present invention has been described and illustrated in detail, it is clearly understood that the same is by way of illustration and example only and is not to be taken by way of limitation, the spirit and scope of the present invention being limited only by the terms of the appended claims.

Claims

1. A processor having at least a function of carrying out one-dimensional discrete cosine transform (DCT) of N-term input data X, wherein said N is a positive integer, said processor comprising:
 - 5 preprocessing means (1; 1a, 1b) for carrying out addition and subtraction for each of sets of predetermined two terms of said input data X to generate a first set of addition data and a second set of subtraction data; and
 - 10 matrix product means (2, 3) for obtaining a first matrix product of said first set of data from said preprocessing means and a predetermined first coefficient matrix, and a second matrix product of said second set of data and a predetermined second coefficient matrix, wherein an output of said matrix product means provides N-term output data subjected to DCT processing.
2. The processor of claim 1, wherein
 - 15 said preprocessing means includes:
 - set generating means (21) for generating a set of pth term data X(p) and qth term data X(q) of said input data X, where $p + q = N-1$, $0 \leq p < q \leq N-1$, and p and q are an integer;
 - addition means (22; 26) for carrying out addition of 2-term data output from said set generating means; and
 - 20 subtraction means (23, 26) for carrying out subtraction of the 2-term data output from said set generating means.
3. The processor of claim 1 or 2, wherein
 - 25 said matrix product means (2, 3) includes
 - storage means (32) for sequentially receiving said first set of data from said preprocessing means (1) to store the received data therein, each of said first set of data having a plurality of bits, and
 - parallel reading means (33) for reading, in parallel and in order, one-bit data in the same bit figure of all of said first set of data stored in said storage means.
4. The processor of one of claims 1 to 3, wherein
 - 30 said matrix product means (2, 3) includes
 - storage means (32) for sequentially receiving said second set of data from said preprocessing means (1) to store the received data therein, each of said second set of data having a plurality of bits, and
 - 35 parallel reading means (33) for reading in parallel and in order, one-bit data in the same bit figure of all of said second set of data stored in said storage means.
5. The processor of claim 3 or 4, wherein
 - 40 said matrix product means (2, 3) further includes
 - a plurality of product sum operation means (6a - 6d), and wherein each said product sum operation means includes
 - 45 table memory means (43) for receiving parallel bit data from said parallel reading means (33) as an address signal to output a corresponding partial sum, said table memory means (43) storing in advance a product sum of a corresponding coefficient and parallel bit data in a table form, and
 - accumulation means (42) for accumulating outputs of said table memory means (43), said accumulation means output providing a first set of output data of said N-term output data.
6. The processor of claim 5, wherein
 - 50 said accumulation means (42) includes
 - addition means (44) for receiving an output of said table memory means at its one input,
 - register means (45) for temporarily storing an output of said addition means therein, and
 - shift means (46) for shifting storage data in said register means by a bit to apply the shifted data to the other input of said addition means.
7. The processor of one of claims 1 to 6, wherein
 - 55 said matrix product means (2, 3) further includes
 - a plurality of product sum operation means (6e - 6h; 6a - 6d) for generating a second set of said N-term output data, and wherein
 - each said product sum operation means includes

table memory means (43) for receiving parallel bit data from said parallel reading means (33) as an address signal to output a corresponding partial sum, said table memory means (43) storing in advance a product sum of a corresponding coefficient and parallel bit data in a table form, and

accumulation means (42) for accumulating outputs of said table memory means to generate a second set of data of said N-term output data.

5

8. The processor of one of claims 5 to 7, wherein
 said accumulation means (42) includes
 addition means (44) for receiving an output of said table memory means at its one input,
 register means (45) for temporarily storing an output of said addition means, and
 shift means (46) for shifting storage data in said register means by a bit to apply the shifted data to
 the other input of said addition means, a final output of said shift means providing said second set of
 data of said N-term output data.

10

9. The processor of one of claims 1 to 8, further comprising:
 a postprocessing section (7) for receiving an output of said matrix product means to carry out
 addition and subtraction of predetermined 2-term data of the received N-term data and generate first
 and second sets of output data; and
 control means (8) for enabling one of said preprocessing section (1) and said postprocessing
 section.

15
20

10. The processor of claim 9, wherein
 said postprocessing section (7) includes means (22, 23; 26) for carrying out addition and
 subtraction of (2i)th-term data $Y(2i)$ and (2i + 1)th-term data $Y(2i + 1)$ of N-term output data Y of
 said matrix product means (2, 3) wherein said i is an integer of $0 \leq i \leq N/2 - 1$.

25

11. The processor of claim 10, wherein
 the addition of said data $Y(2i)$ and $Y(2i + 1)$ indicates (i)th-term output data $Z(i)$, and the
 subtraction of said data $Y(2i)$ and $Y(2i + 1)$ indicates (N - i - 1)th-term output data $Z(N - i - 1)$.

30

12. The processor of one of claims 1 to 11, further comprising:
 transposition means (12) for sequentially receiving output data of said matrix product means (2, 3)
 to store the received data therein, transpose a matrix formed by the stored data and sequentially output
 N-term intermediate data;
 second preprocessing means (1b) having the same configuration as that of said preprocessing
 means, for receiving an output of said transposition means to carry out addition and subtraction for
 each of predetermined 2-term sets of said N-term intermediate data; and
 second matrix product means (2b, 3b) having the same configuration as that of said matrix product
 means, for performing a product operation of output data of said second preprocessing means and a
 predetermined second coefficient matrix, an output of said second matrix product means indicating
 data subjected to two-dimensional DCT processing.

35
40

13. The processor of one of claims 9 to 12, further comprising:
 second postprocessing means (7b) having the same configuration as that of said postprocessing
 means, for receiving an output of said second matrix product means, and
 second control means (8) for enabling one of said second preprocessing means (1b) and said
 second postprocessing means.

45

14. The processor of one of claims 1 to 13, wherein
 said processor is incorporated integrally in an integrated circuit (50) with functional circuitry (52,
 53, 54; 55, 56).

50

15. The processor of one of claims 1 to 14, wherein
 said N is 8.

55

16. A processor having at least a function of carrying out one-dimensional inverse discrete cosine transform
 (DCT) of N-term input data Y, wherein said N is a positive integer, said processor comprising:
 matrix product means (2, 3) for dividing said N-term input data Y into a first set of input data and a

second set of input data and carrying out a product operation of said first set of input data and a first coefficient matrix and a product operation of said second set of input data and a second coefficient matrix, to generate a first set of intermediate data M_i and a second set of intermediate data N_i , wherein said i is an integer of $0 \leq i \leq N/2 - 1$; and

5 postprocessing means (7; 7a, 7b) for carrying out addition and subtraction of two intermediate data in a predetermined relationship in said first set of intermediate data and said second set of intermediate data from said matrix product means to generate first and second sets of output data X_i .

17. The processor of claim 16, wherein

10 said postprocessing means (7; 7a, 7b) includes means (22, 23; 26) for carrying out addition and subtraction of said first set of (i)th-term intermediate data M_i and said second set of (i)th-term intermediate data N_i ; and

addition data ($M_i + N_i$) indicates (i)th-term data of N-term output data, and subtraction data ($M_i - N_i$) indicates ($N - i - 1$)th-term data of said N-term output data.

18. The processor of claim 16 or 17, wherein

each said intermediate data is represented by a plurality of bits, and

said matrix product means (2, 3) includes

20 storage means (32) for dividing said N-term input data Y into a first set of input data $Y(2i)$ and a second set of input data $Y(2i + 1)$ to store each set of the input data therein,

first reading means (33) for reading in parallel one-bit data in the same order of said first set of all input data $Y(2i)$ from said storage means,

second reading means (33) for reading in parallel one-bit data in the same bit figure of said second set of all input data $Y(2i + 1)$ from said storage means,

25 first product sum operation means (6a - 6d) for carrying out a product sum operation of parallel bit data from said first reading means and a corresponding coefficient of said first coefficient matrix, to generate said first set of output data, and

30 second product sum operation means (6e - 6h) for carrying out a product sum operation of parallel bit data from said second reading means and a corresponding coefficient of said second coefficient matrix, to generate said second set of output data.

19. The processor of claim 18, wherein

said first and second product sum operation means include a plurality of operation circuits each related to one term of said output data, each said operation circuit means (6a - 6h) including

35 table memory means (43) for receiving parallel bit data as an address signal to output the result of the product sum operation with the corresponding coefficient, said table memory means storing in advance data indicating the result of the product sum operation in a table form, and

accumulation means (42) for accumulating outputs of said table memory means.

40 20. The processor of claim 19, wherein

said accumulation means includes

2-input addition means (44) for receiving an output of said table memory means (43) at its one input,

register means (45) for temporarily storing an output of said addition means, and

45 shift means (46) for shifting storage data in said register means by a bit to apply the shifted data to the other input of said addition means, a final output of said shift means indicating output data of an associated term.

21. The processor of one of claims 16 to 20, further comprising:

50 preprocessing means (1; 1a, 1b) for carrying out addition and subtraction of a predetermined set of 2-term data $Y(j)$, $Y(N - j - 1)$ of said N-term input data Y to generate a first set of addition data and a second set of subtraction data, said first set of said addition data and said second set of said subtraction data being applied as said first and second sets of input data to said matrix product means; and

55 control means (8) for enabling one of said preprocessing means and said postprocessing means.

22. The processor of one of claims 16 to 21, further comprising: transposition means (12) for sequentially receiving N-term N output data from said postprocessing means (7; 7a, 7b) to store the received data

therein, then transpose the stored data and output the transposed data;
 second matrix product means (2b, 3b) of the same configuration as that of said matrix product means, for receiving an output of said transposition means; and
 second postprocessing means (7b) of the same configuration as that of said postprocessing means,
 5 for receiving an output of said matrix product means,
 an output of said second postprocessing means indicating data subjected to two-dimensional IDCT processing of N by N points.

23. The processor of one of claims 16 to 22, wherein
 10 said N is 8.
24. The processor of one of claims 16 to 23, wherein
 said processor (51) is incorporated integrately in an integrated circuit (50) so as to operate in cooperation with other functional circuitry (52, 53, 54; 55, 56).
- 15 25. A method of processing one dimensional discrete cosine transform of N points, X, wherein said N is 2^m , said m being a natural number, said method comprising the steps of:
 carrying out addition and subtraction of each 2-term data in predetermined relationship in said input data X, to generate a first set of addition data and a second set of subtraction data, said first and
 20 second sets including N/2-term data;
 carrying out a product operation of said first set of data and a first coefficient matrix to generate a first set of output data;
 carrying out a product operation of said second set of data and a second coefficient matrix to generate a second set of output data; and
 25 outputting said first set of output data and said second set of output data in a predetermined order.
26. The method of claim 25, wherein
 said step of generating said first and second sets of output data includes the step of generating a corresponding partial sum by reference to a table memory, using an applied data as an address signal.
- 30 27. The method of claim 25 or 26, wherein
 said 2-term data in said predetermined relationship are (i)th-term data $x(i)$ and (N - i - 1)th-term data $x(N - i - 1)$, wherein said i is an integer of $0 \leq i \leq N/2 - 1$.
- 35 28. A method of carrying out one-dimensional inverse discrete cosine transform of N points, wherein said N is 2^m , said m being a natural number, said method comprising the steps of:
 receiving N-term input data Y to generate a first set of input data of even-term data $Y(2i)$ and a second set of input data of odd-term input data $Y(2i + 1)$, wherein said i is an integer of $0 \leq i \leq N/2 - 1$;
 40 carrying out a product operation of said first set of input data and a first coefficient matrix to generate a first set of intermediate data M(i);
 carrying out a product operation of said second set of input data and a second coefficient matrix to generate a second set of intermediate data N(i);
 carrying out addition and subtraction of said first set of intermediate data M(i) and said second set
 45 of intermediate data N(i) to generate a first set of addition data and a second set of subtraction data; and
 outputting said first set of said addition data and said second set of said subtraction data in a predetermined order.
- 50 29. The method of claim 28, wherein
 said addition data is a sum of data M(i) and data N(i), said addition data of $M(i) + N(i)$ indicating i-th-term data X(i) of N-term output data; and
 said subtraction data is a difference between data M(i) and data N(i), said subtraction data of $M(i) - N(i)$ providing (N - i - 1)th-term output data X(N - i - 1).
- 55 30. The method of claim 28 or 29, wherein
 said step of generating said intermediate data M(i) and N(i) includes the step of generating a corresponding partial sum by reference to a table memory, using the applied data as an address.

FIG. 1

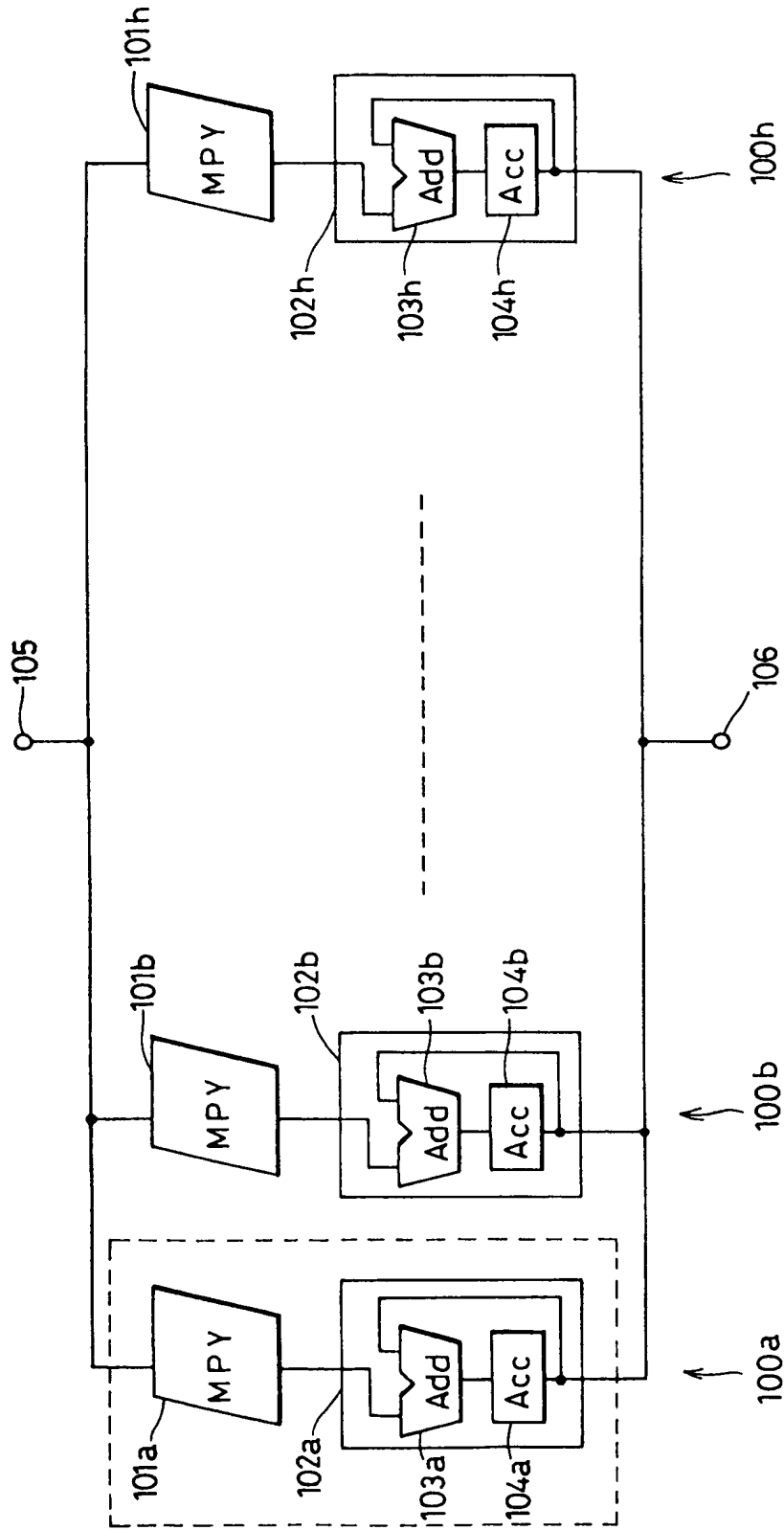


FIG. 2

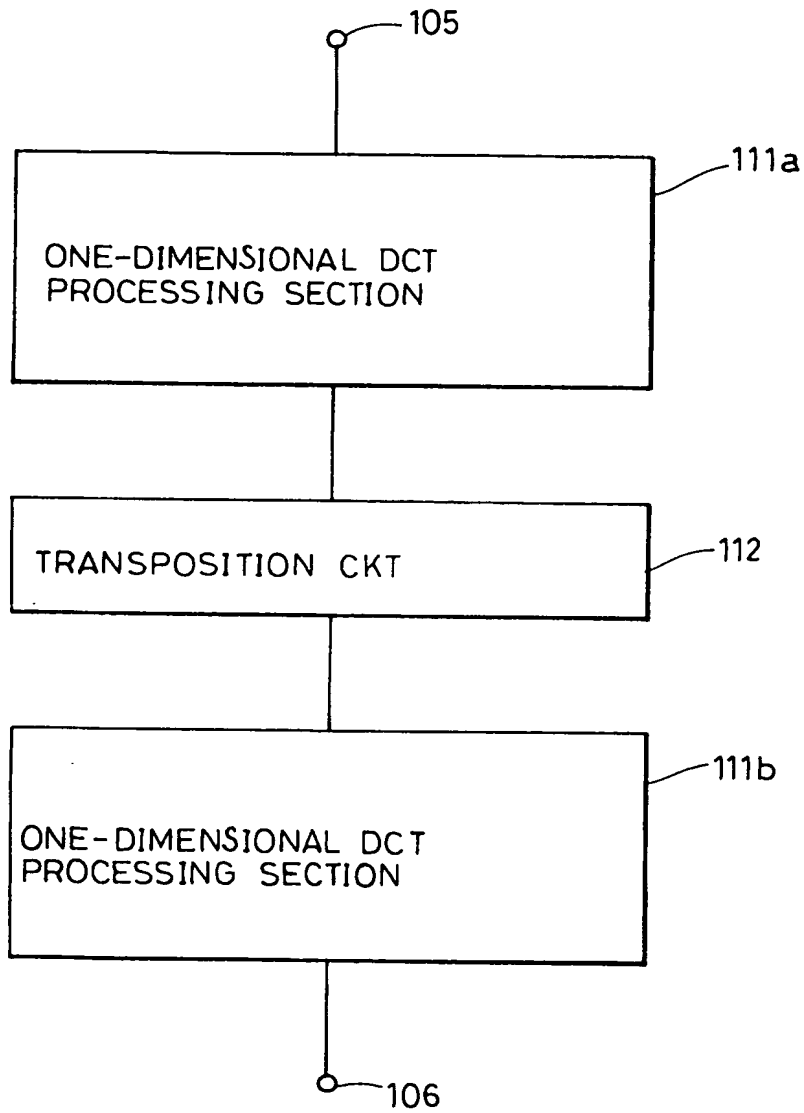


FIG. 3

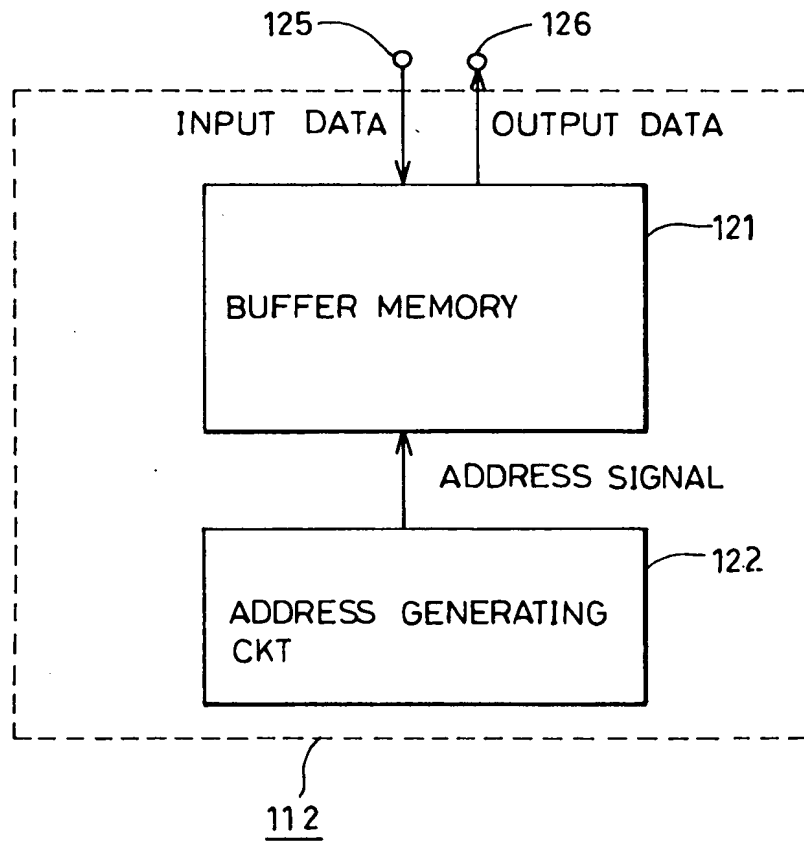


FIG. 4

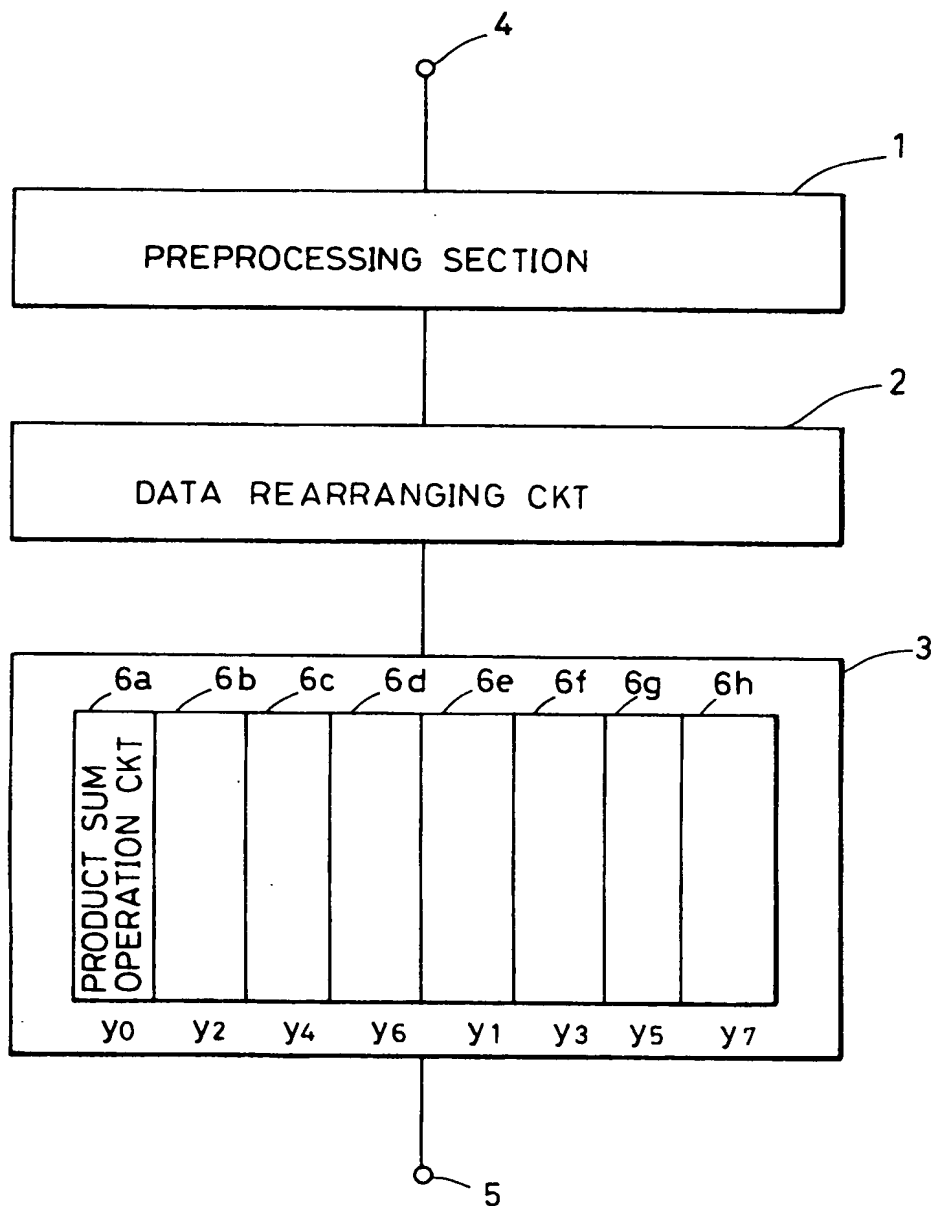


FIG. 5

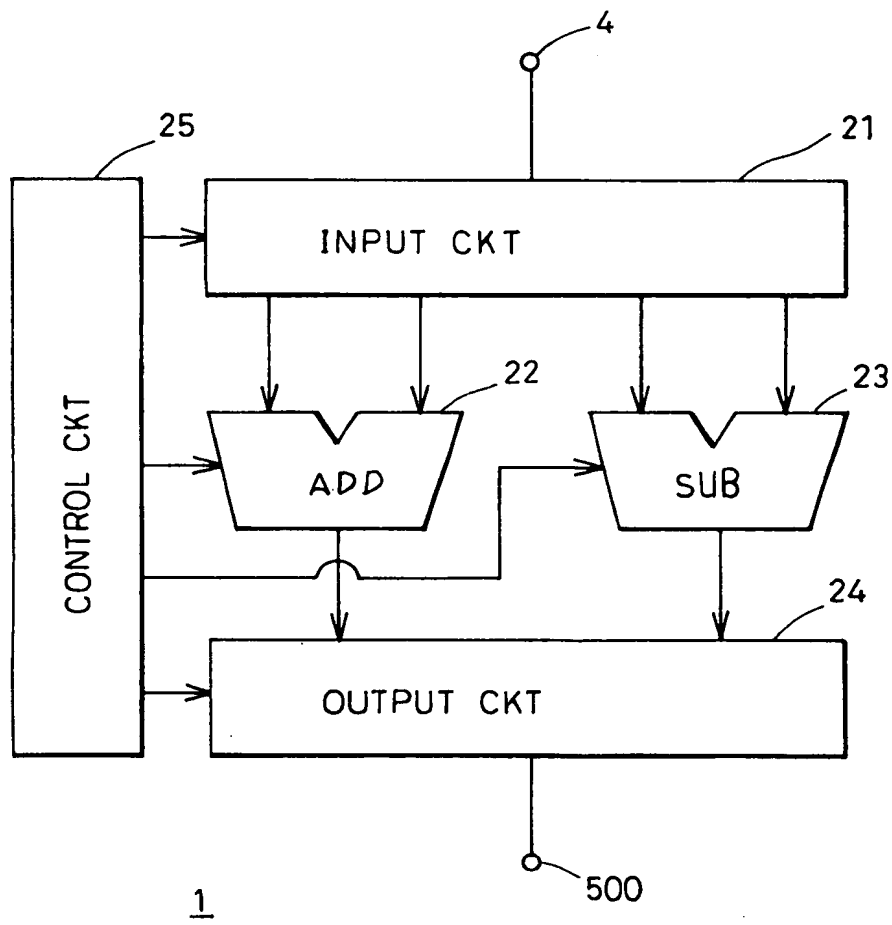
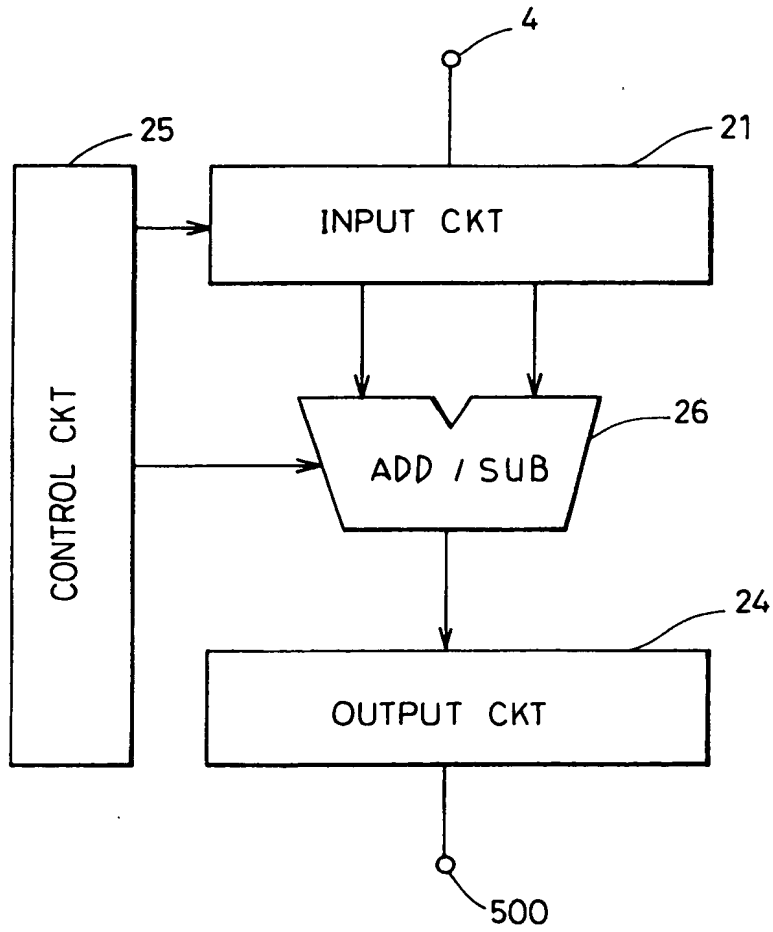
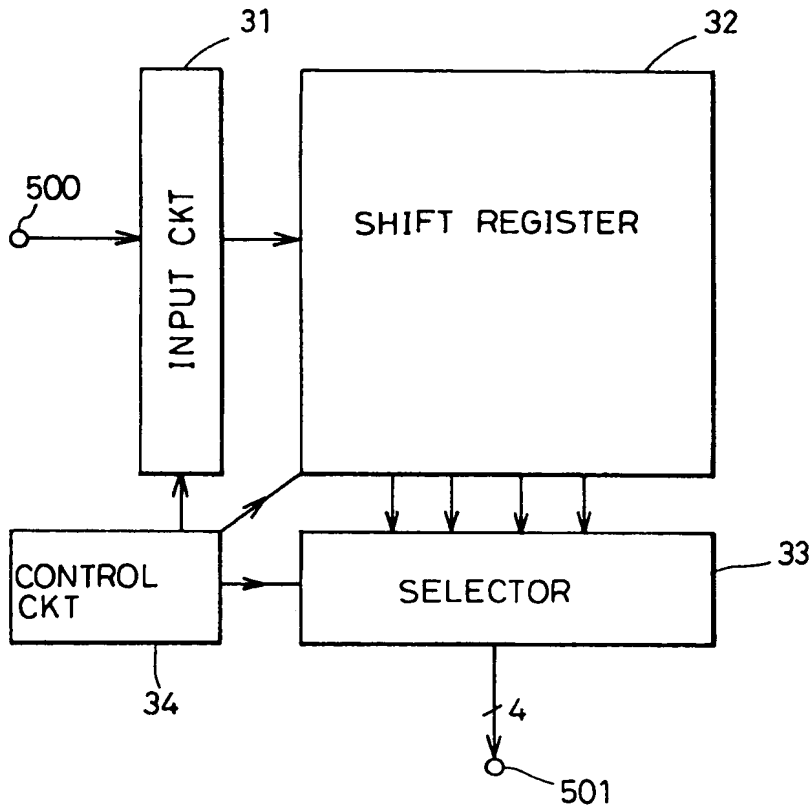


FIG. 6



1

FIG. 7A



2

FIG. 7B

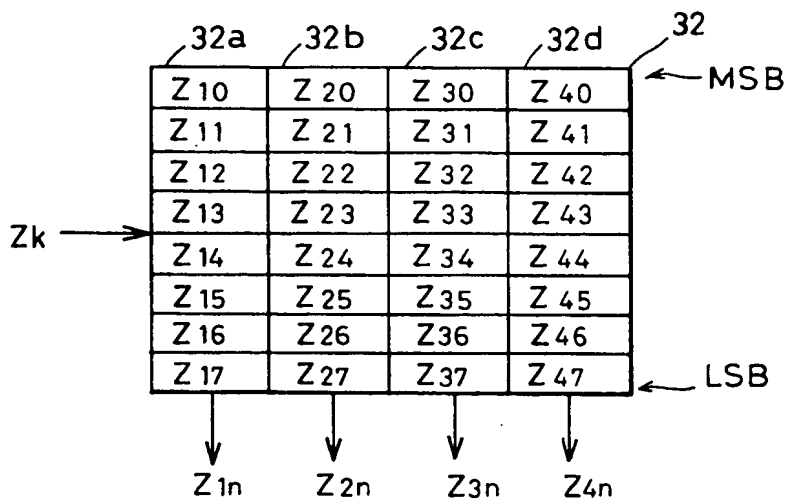


FIG. 8

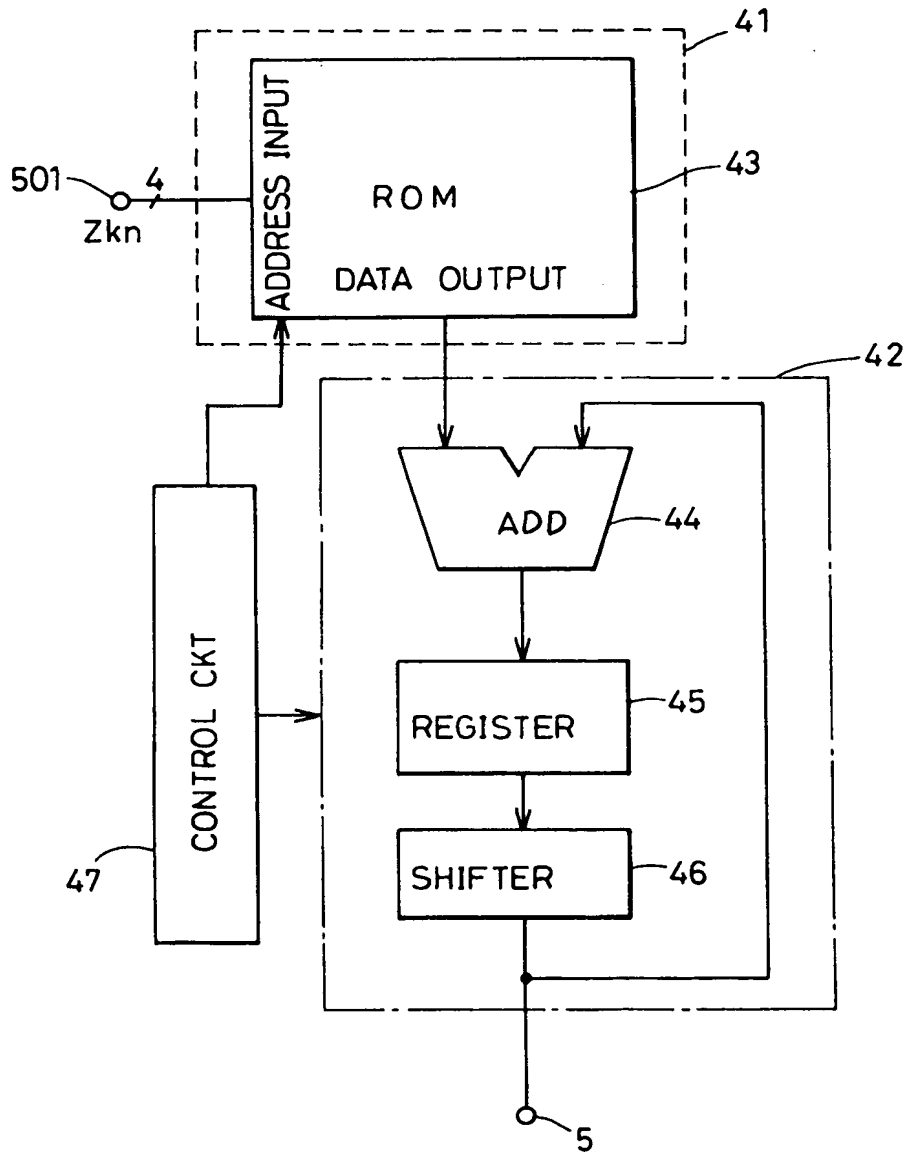


FIG. 9

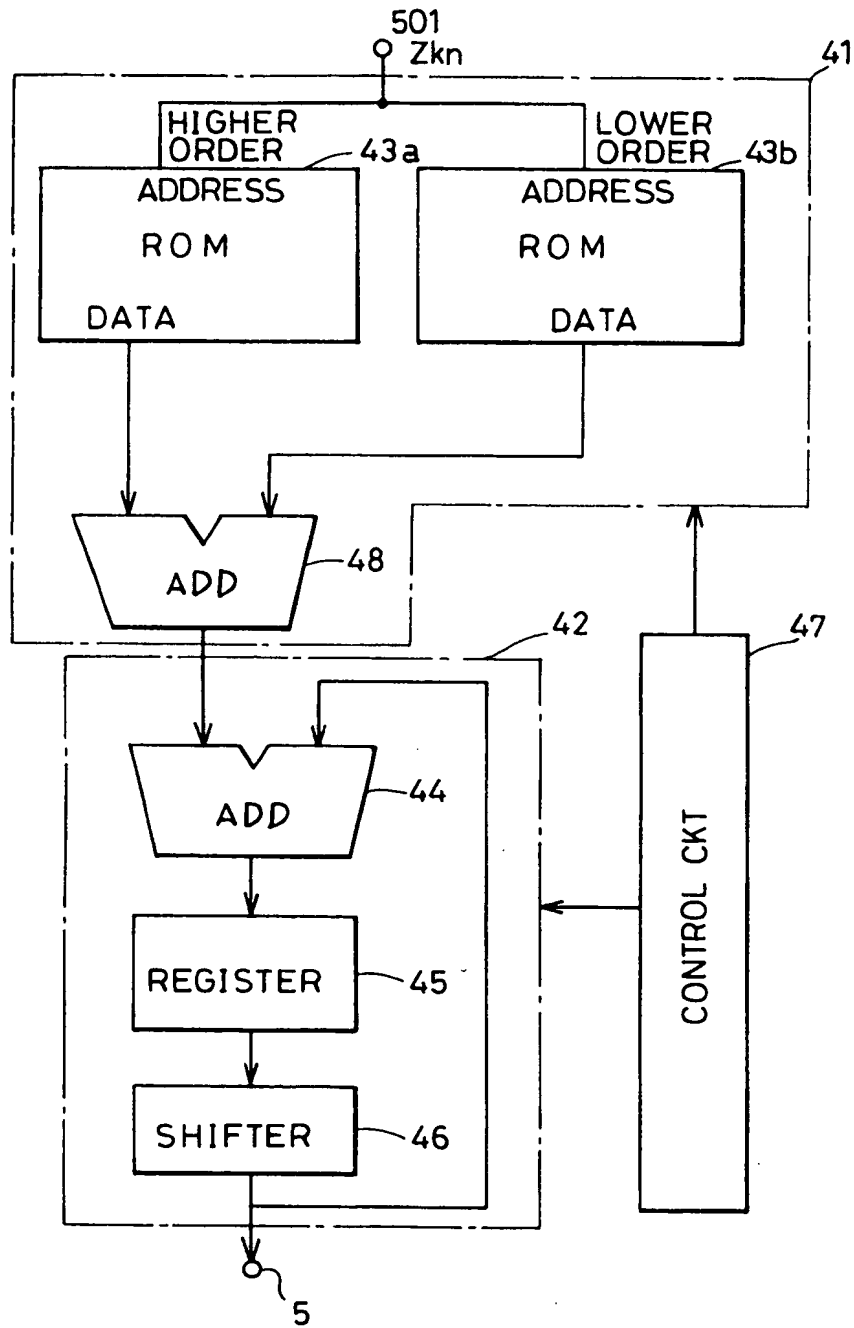


FIG.10

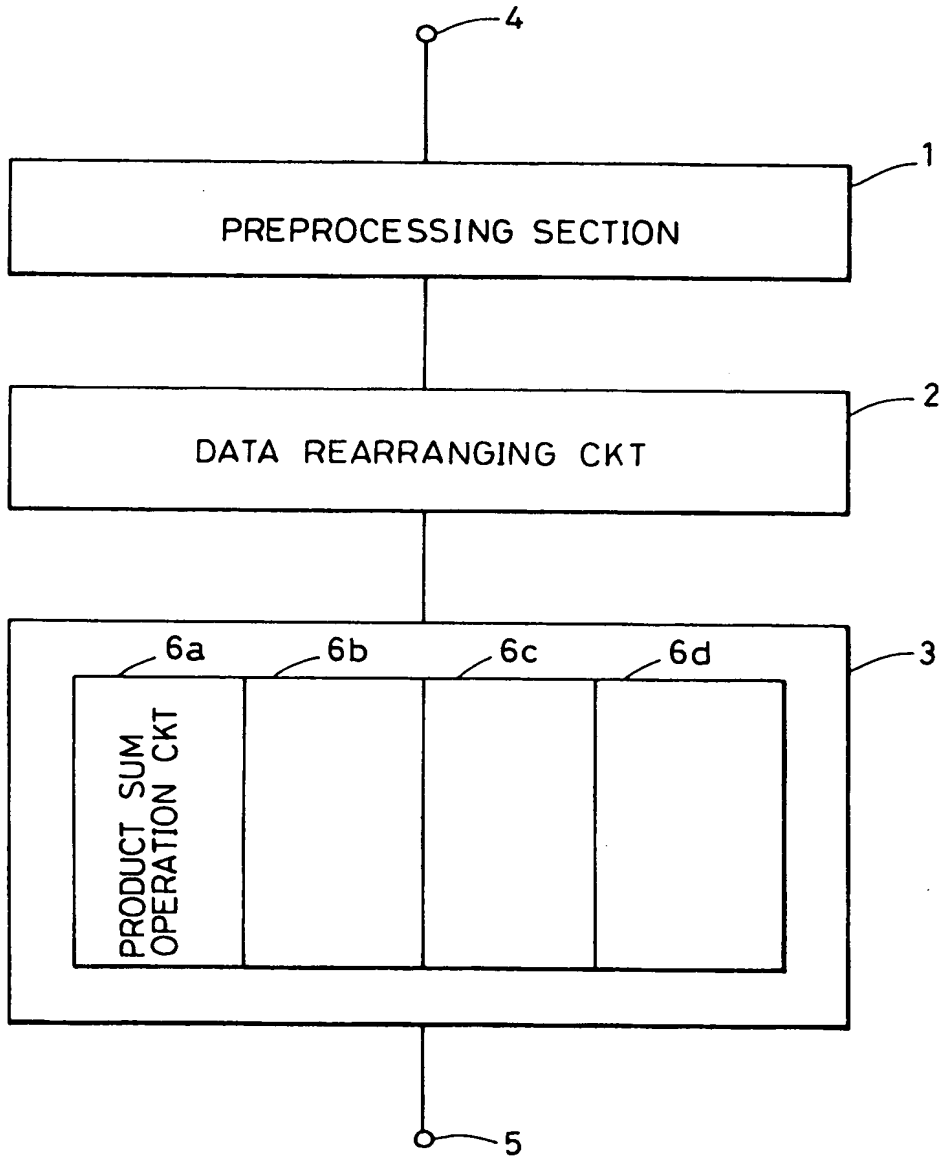


FIG. 11

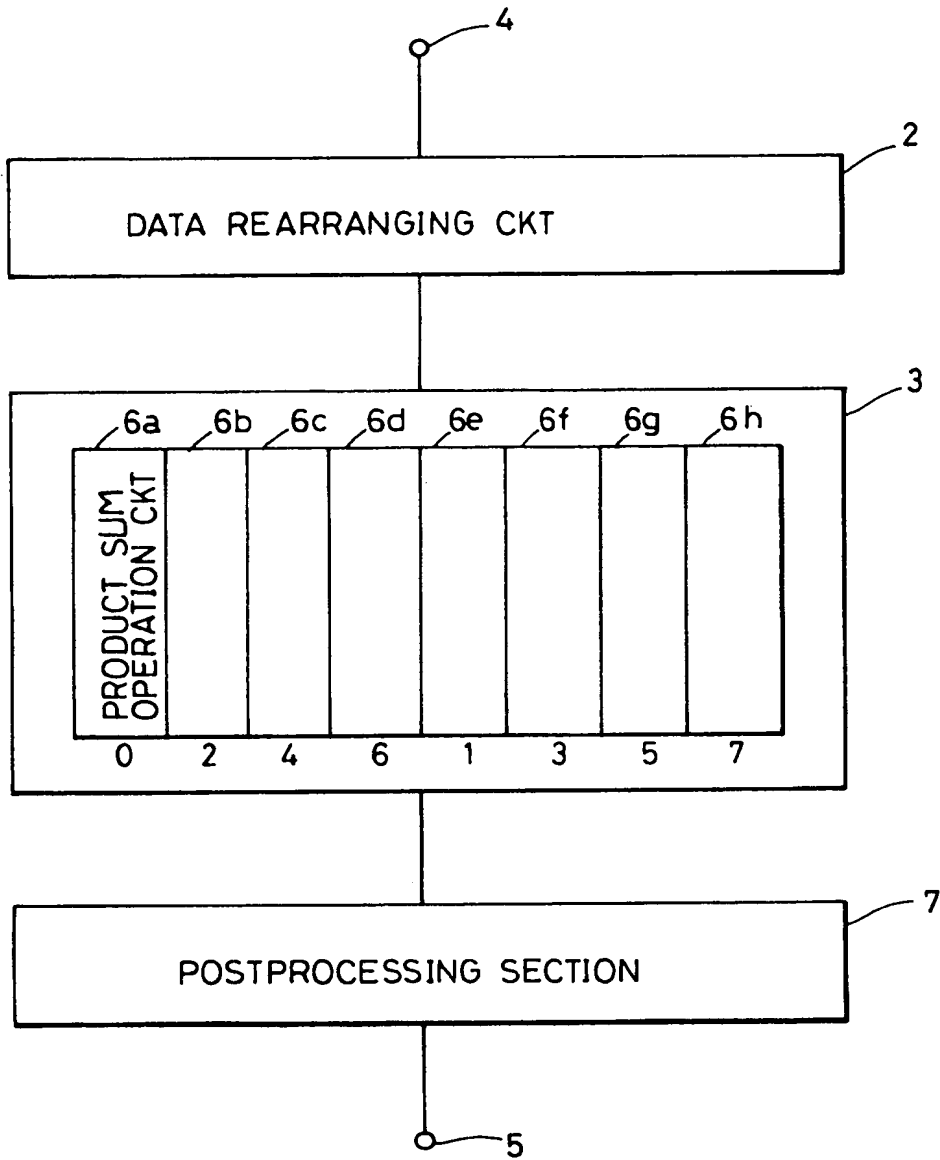


FIG. 12

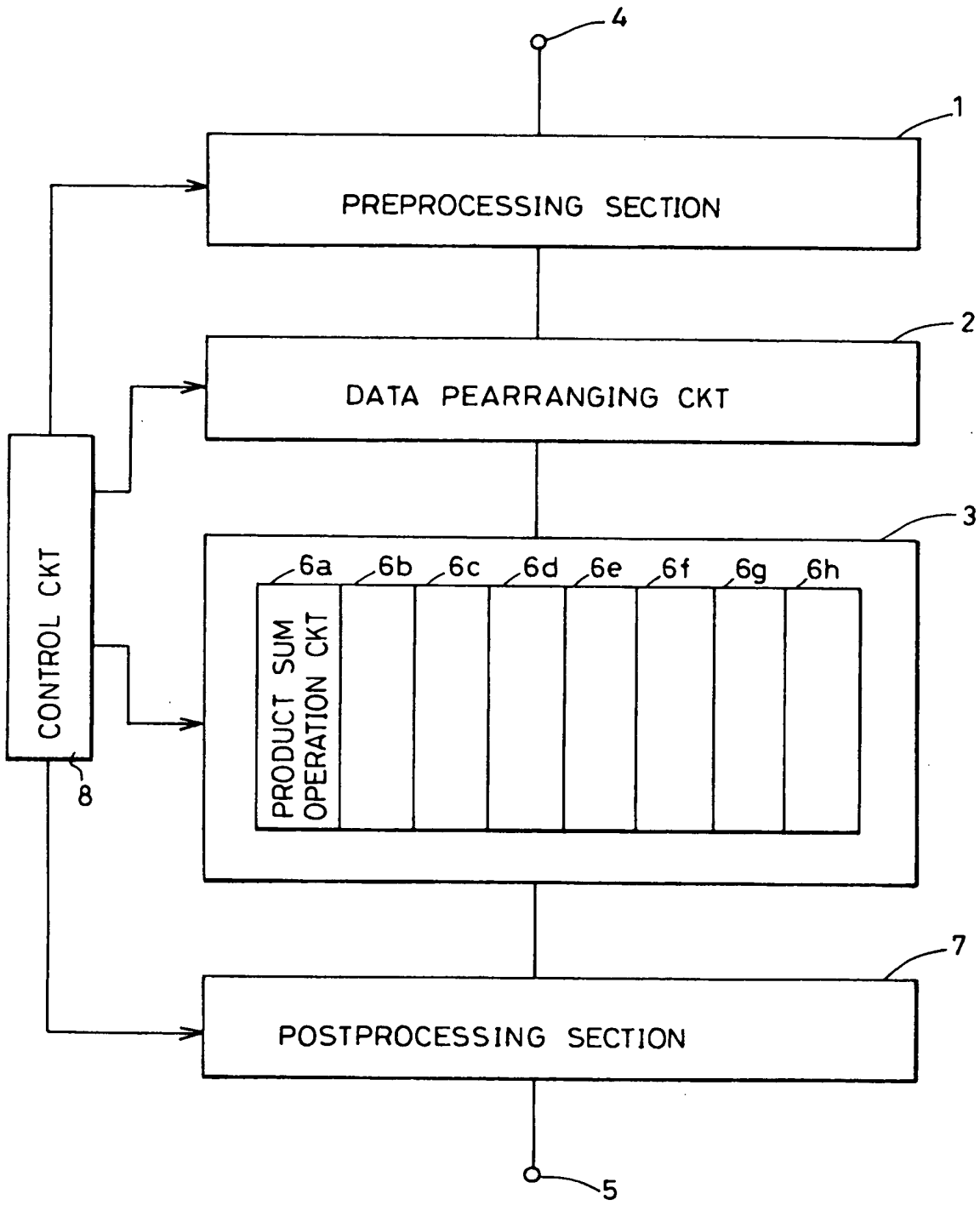


FIG. 14

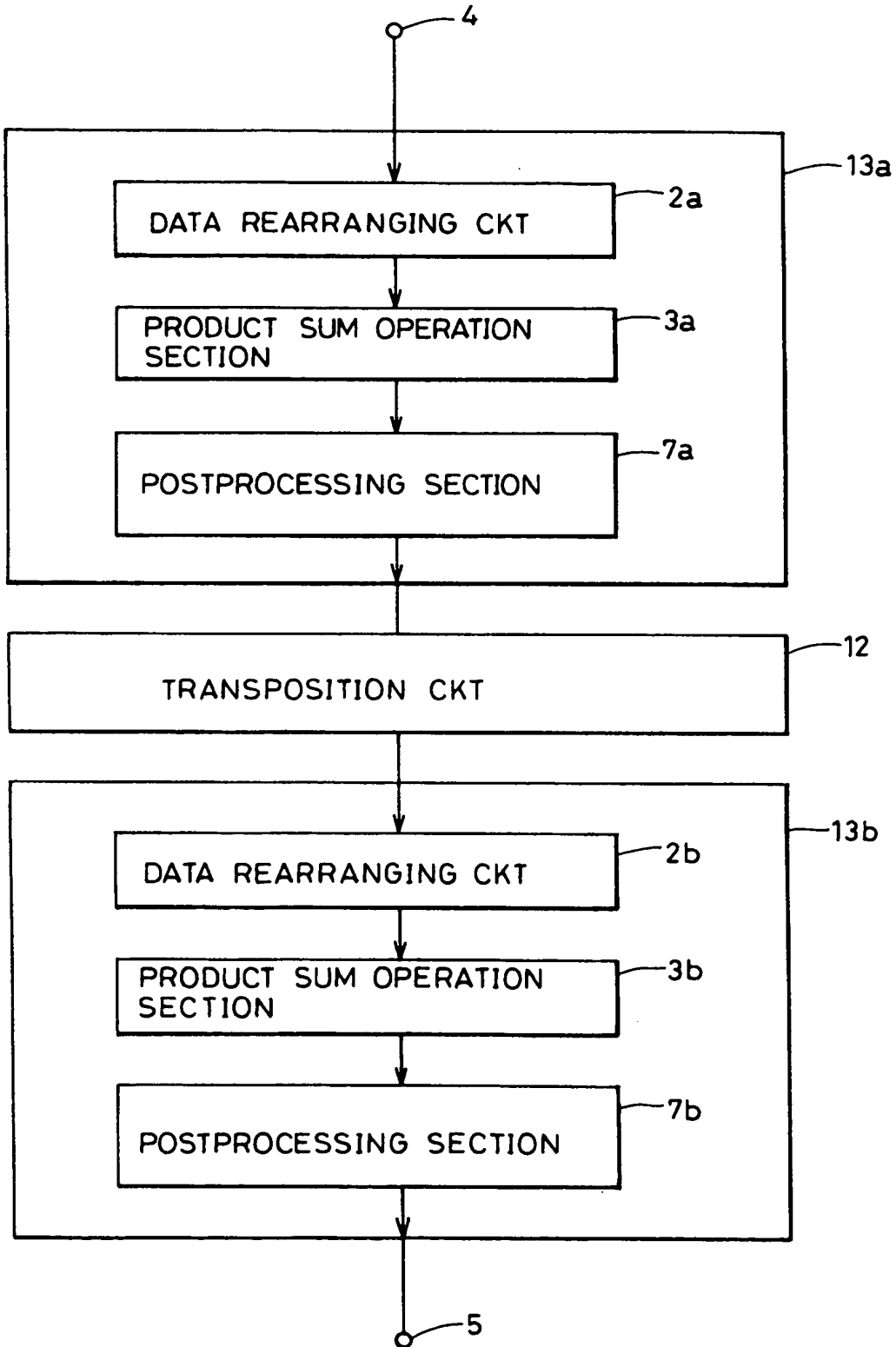


FIG. 15

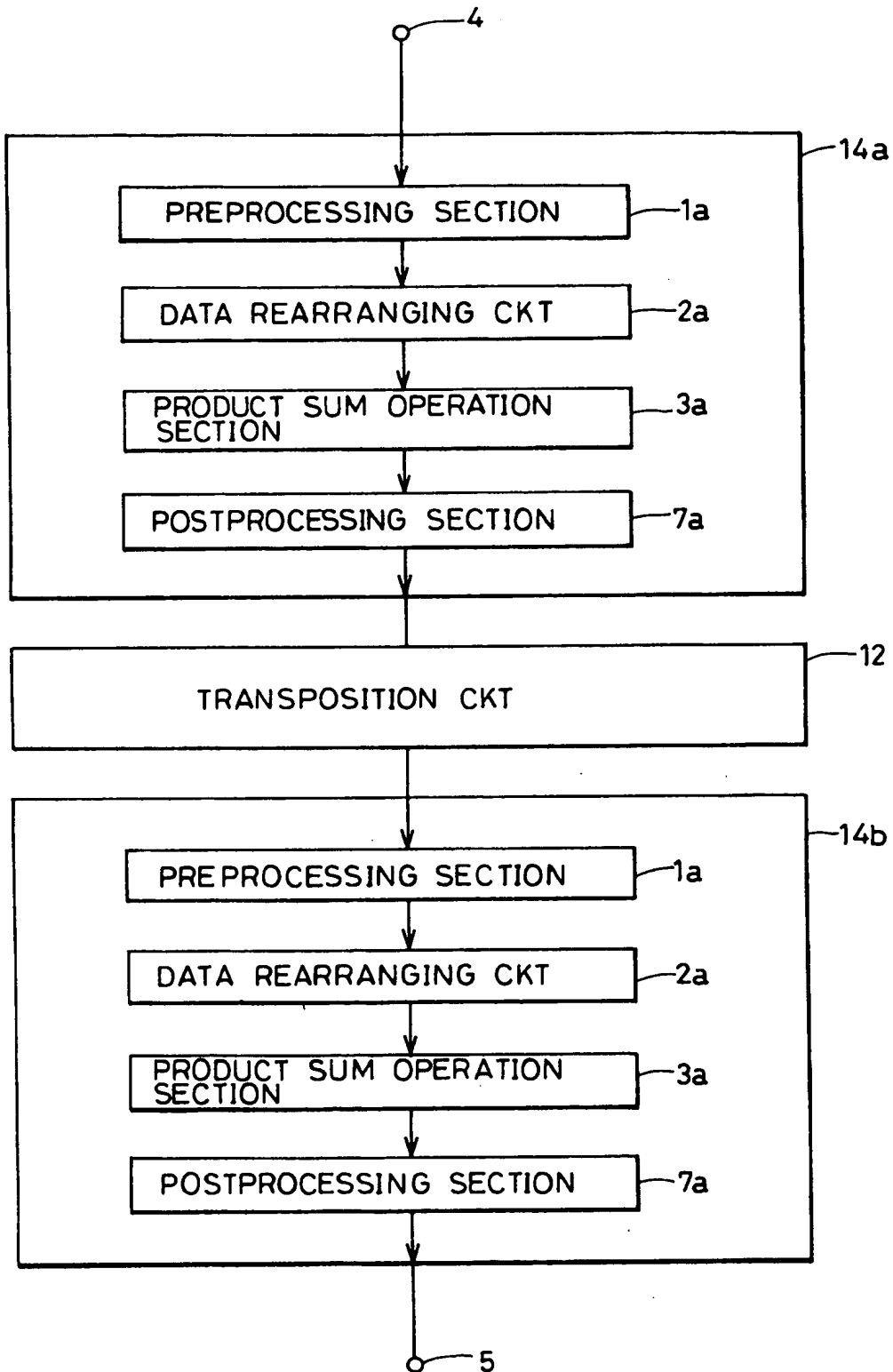


FIG.16

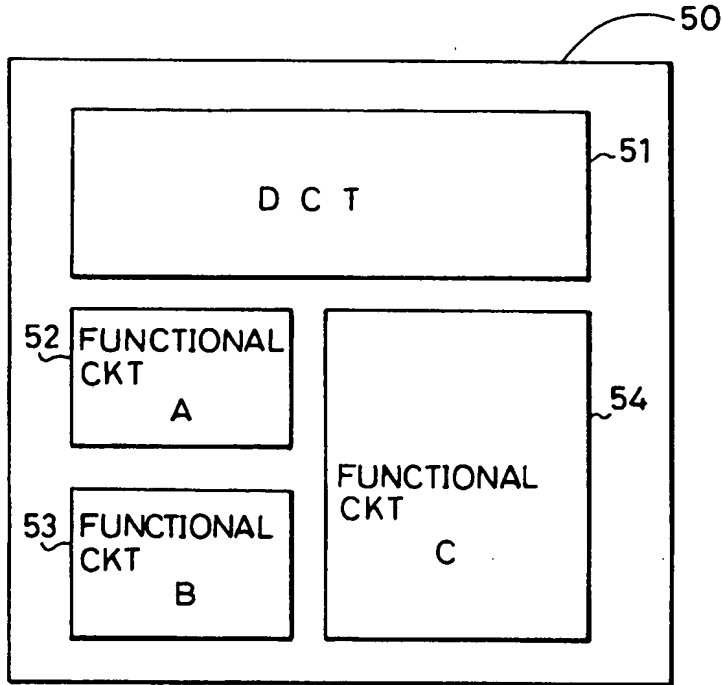
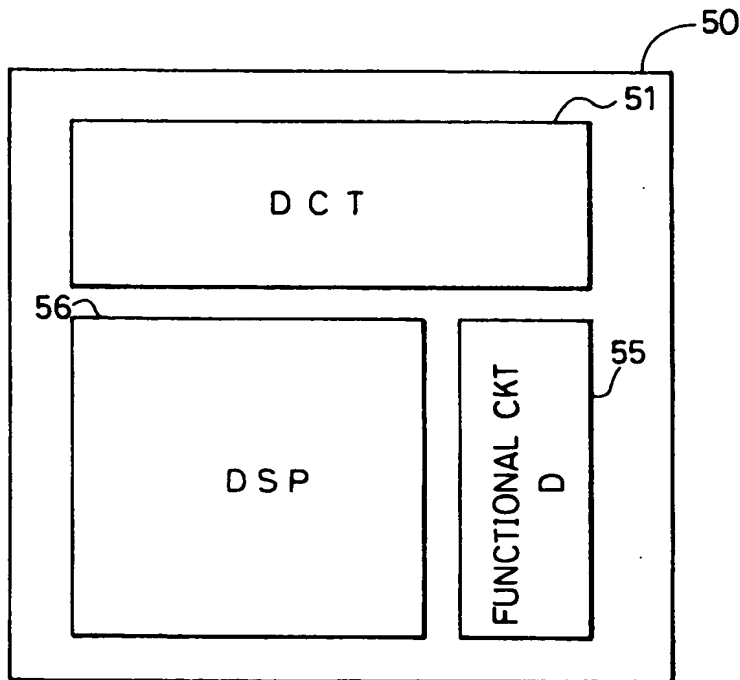


FIG.17



19



Europäisches Patentamt
European Patent Office
Office européen des brevets



Publication number: **0 506 111 A3**

12

EUROPEAN PATENT APPLICATION

21 Application number: **92105359.1**

51 Int. Cl.⁵: **G06F 15/332**

22 Date of filing: **27.03.92**

30 Priority: **27.03.91 JP 63259/91**

43 Date of publication of application:
30.09.92 Bulletin 92/40

84 Designated Contracting States:
DE FR NL

88 Date of deferred publication of the search report:
18.05.94 Bulletin 94/20

71 Applicant: **MITSUBISHI DENKI KABUSHIKI
KAISHA
2-3, Marunouchi 2-chome
Chiyoda-ku
Tokyo(JP)**

72 Inventor: **Uramoto, Shinichi, c/o Mitsubishi
Denki K.K. LSI
Kenkyusho,
1 Mizuhara 4-chome
Itami-shi, Hyogo-ken(JP)**
Inventor: **Inoue, Yoshitsugu, c/o Mitsubishi
Denki K.K. LSI
Kenkyusho,
1 Mizuhara 4-chome
Itami-shi, Hyogo-ken(JP)**

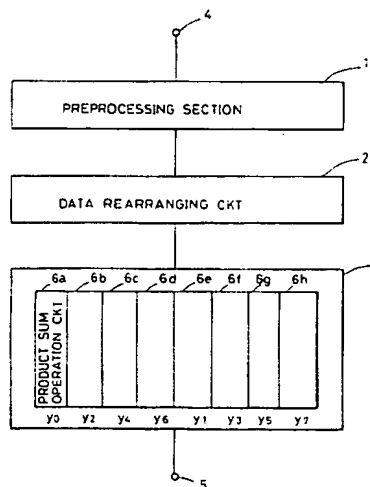
74 Representative: **Prüfer, Lutz H.
Patentanwalt,
Dipl.-Physiker Lutz H. Prüfer,
Dr. Habil, Jürgen Materne,
Harthäuser Strasse 25d
D-81545 München (DE)**

54 **DCT/IDCT processor and data processing method.**

57 A one-dimensional discrete cosine transform (DCT) processor of N (N: positive integer)-term input data X includes a preprocessing section (1) for carrying out addition and subtraction of (i)th-term data x (i) and (N - i)th-term data x (N - 1) of input data X, and a unit (2, 3) for performing a product sum operation for sets of intermediate data subjected to preprocessing by addition and sets of intermediate data subjected to preprocessing by subtraction, respectively. The product sum operation unit includes a data rearranging unit (2) for outputting, in parallel and in order, bit data of the same figure of a set of data, a partial sum generator (41) for generating a partial sum by using the parallel bit data as an address, and an accumulator (42) for accumulating outputs of the partial sum generator. A one-dimensional inverse discrete cosine transform (IDCT) processor of N-term input data X includes a unit (2, 3) for performing a product sum operation of input data, and a postprocessing section (7) for carrying out addition and subtraction of 2-term data in a predetermined combination of an output of the product sum operation unit. The number of times of multiplication is reduced by utilizing inherent characteristics of

coefficients of DCT/IDCT processing. Since the product sum operation is performed by a ROM table (43) and an adder (44), a faster multiplication is realized.

FIG. 4



EP 0 506 111 A3



European Patent
Office

EUROPEAN SEARCH REPORT

Application Number
EP 92 10 5359

DOCUMENTS CONSIDERED TO BE RELEVANT			
Category	Citation of document with indication, where appropriate, of relevant passages	Relevant to claim	CLASSIFICATION OF THE APPLICATION (Int.Cl.5)
X	TENCON '89, 22 - 24 NOVEMBER 1989, BOMBAY INDIA pages 74 - 77 S.N. MERCHANT ET AL. 'Distributed arithmetic architecture for image coding'	1-5,7, 25-27	G06F15/332
Y		6,8,9, 12,13, 15,16 17-21,24	
A	* page 74, right column, line 22 - page 75, right column, line 11; figures 1,2 * ---		
Y	1989 IEEE SYMPOSIUM ON CIRCUITS AND SYSTEMS, 8 - 11 MAY 1989, PORTLAND US, vol.1 V. RAMPA ET AL. 'Computer-aided synthesis of a bi-dimensional discrete cosine transform chip'	6,8,9, 12,13, 15,16	
A	* abstract * * page 221, left column, line 13 - page 222, left column, line 28; figures 1,2 * ---	3,5	TECHNICAL FIELDS SEARCHED (Int.Cl.5)
Y	INTERNATIONAL JOURNAL OF ELECTRONICS, vol.69, no.2, August 1990, LONDON GB pages 233 - 246 K.W. CURRENT ET AL. 'Unified forward and inverse discrete cosine transform architecture and proposed VLSI implementation'	9,13,16	G06F
A	* the whole document * ---	10,15, 17, 21-23,28	
-/--			
The present search report has been drawn up for all claims			
Place of search BERLIN		Date of completion of the search 9 February 1994	Examiner Masche, C
<p>CATEGORY OF CITED DOCUMENTS</p> <p>X : particularly relevant if taken alone Y : particularly relevant if combined with another document of the same category A : technological background O : non-written disclosure P : intermediate document</p> <p>T : theory or principle underlying the invention E : earlier patent document, but published on, or after the filing date D : document cited in the application L : document cited for other reasons & : member of the same patent family, corresponding document</p>			



European Patent
Office

EUROPEAN SEARCH REPORT

Application Number
EP 92 10 5359

DOCUMENTS CONSIDERED TO BE RELEVANT			
Category	Citation of document with indication, where appropriate, of relevant passages	Relevant to claim	CLASSIFICATION OF THE APPLICATION (Int.Cl.5)
X A	EP-A-0 275 979 (CSELT CENTRO STUDI E LABORATORI TELECOMUNICAZIONI S.P.A.) * page 5, line 58 - page 7, line 23 * * page 11, line 40 - line 48 * * figures 1,2 * -----	1 10, 15, 17, 21-23, 28	
			TECHNICAL FIELDS SEARCHED (Int.Cl.5)
The present search report has been drawn up for all claims			
Place of search BERLIN		Date of completion of the search 9 February 1994	Examiner Masche, C
CATEGORY OF CITED DOCUMENTS X : particularly relevant if taken alone Y : particularly relevant if combined with another document of the same category A : technological background O : non-written disclosure P : intermediate document		T : theory or principle underlying the invention E : earlier patent document, but published on, or after the filing date D : document cited in the application L : document cited for other reasons & : member of the same patent family, corresponding document	

EPO FORM 1503 03.92 (P04C01)

THIS PAGE BLANK (USPTO)